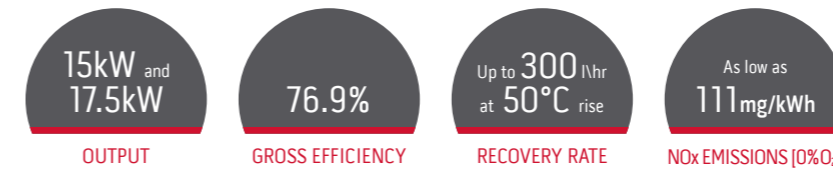


# Fan Flued Non-Condensing Water Heaters

With all the advantages of the Standard and Hiflo ranges, the Fan flued range has the addition of a fan assisted flue, making it the perfect choice for installations where longer flue runs are required.



## Technical Specification



## Features

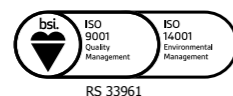
## Benefits

Two models, 190 and 280 litres storage capacity	Provides instant hot water for peak demands
Recovery rate up to 300 litres per hour	Excellent hot water recovery rate
Vitraglas® lined storage tank	Thermally efficient water storage. Protects glass lining and reduces service and maintenance time and costs
Factory installed Hydrojet® sediment reduction system	Longer and more efficient working life
Supplied with draught diverter, gas cock and water drain valve	Easy, cost effective installation
80mm diameter horizontal or vertical flue kits available	Flexible siting and longer flue runs
WRAS approved	Complies with the Water Supply (Water Fittings) Regulations and Scottish Byelaws

All the technical information you need is easy to find on our website, using your smart phone, tablet or PC:

- BIM files
- CAD files
- Brochures
- Technical specification sheets
- Case studies
- Installation manuals
- User guides
- Size-It Tool

Sales  
0345 070 1055  
Technical  
0345 070 1057  
Website  
andrewswaterheaters.co.uk  
Twitter  
@AndrewsWH



Tel 0345 070 1055 | Web andrewswaterheaters.co.uk



Andrews. Built to perform.

Andrews. Built to perform.

## Specifications

			Model	
			RFF190	RFF280
Energy	Heat input (gross)	kW	19.5	23
	Heat output	kW	15	17.5
	Gross thermal efficiency	%	76.9	76.1
	Standby heat loss	Mj/month	327	712
	NOx emissions (0% O <sub>2</sub> ) natural	mg/kWh	115	111
	NOx emissions (0% O <sub>2</sub> ) natural/propane	ppm	56	54
ErP	ErP efficiency rating		B	B
Gas data	Gas flow rate (natural gas)	m <sup>3</sup> /h	1.82	2.15
Water	Storage capacity	Litre	190	280
	Recovery rate through 50°CΔt	Litre/hr	257	300
	Recovery rate through 56°CΔt	Litre/hr	230	268
	Operating pressure (unvented)	bar	3.5	3.5
	Minimum working pressure	bar	0.2	0.2
	Maximum pressure	bar	10	10
Electrical	Fuse rating	amp	5	5
	Electrical power consumption	W	236	236
Misc	Noise level	dBA	34	38
	Weight full	kg	273	418
	Weight empty	kg	85	132
	Max. flue run (vertical)	m	8	5
	Max. flue run (horizontal)	m	7	4

## Accessories

### Flueing and Ancillary

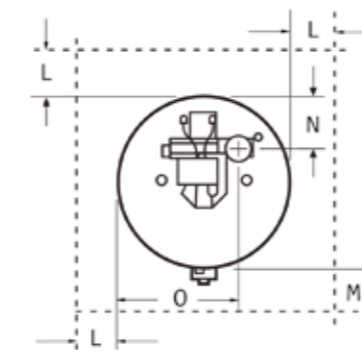
	ALL
	Part No
Horizontal flue kit	B176
Vertical flue kit	B227
1m flue	C793
0.5m flue	E361
90° bend	C792
45° bend	C794
Flue condensate trap	E548
Wall terminal guard	E105

### Water Controls

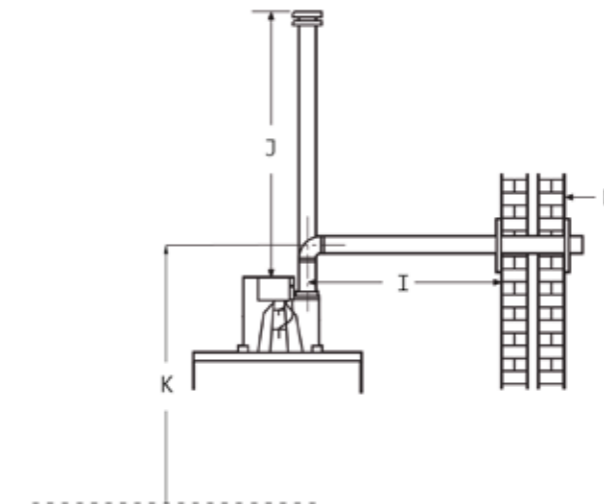
	ALL
	Part No
Unvented systems kit	B171
Correx powered anode kit	B196

## Dimensions

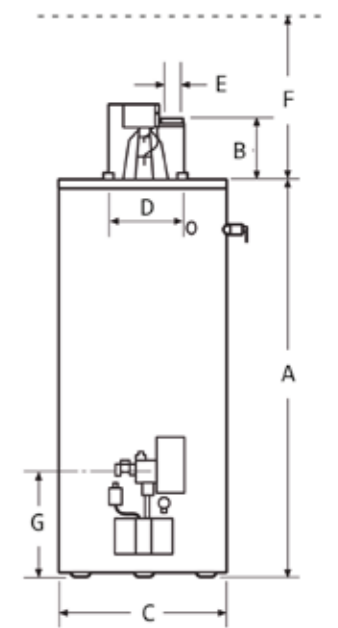
	unit	RFF190	RFF280
A. Height of heater	mm	1451	1527
B. Height of flue spigot	mm	267	267
C. Diameter	mm	559	660
D. Water connection centers	mm	279	279
E. Flue diameter	mm	80	80
F. Top service clearance	mm	1400	1400
G. Gas connection height	mm	378	438
H. Min/max wall thickness	mm	150 - 300	
I. Min/max flue horizontal	mm	483 / 7000	533 / 4000
J. Max flue vertical	mm	8000	5000
K. Height to flue centre from floor	mm	1867	1943
L. Side & rear service clearance	mm	305	305
M. Front service clearance	mm	610	610
N. Flue connection centre	mm	171	222
O. Flue connection centre	mm	394	444
Inlet and flow connections	BSP	¾"	¾"
Return connection	BSP	¾"	¾"
Drain port size	BSP	¾"	¾"



View from top



Flue Options



Front View

