



ANDREWS
WATER HEATERS

Specification Range Guide

Andrews. Built to perform.





Our Commercial Water Heaters

Our extensive range of water heaters are designed and manufactured by Andrews Water Heaters, the UK's number one supplier.

Available as instantaneous or storage, our water heaters guarantee a reliable supply of hot water and will stand up to even the most demanding of requirements.

We're focused on innovation, and continually evolve our products to ensure optimum performance, high

recovery rates and low running costs, not to mention energy efficiency and legislative compliance.

It's not just our products that make us top of the league. As active members of CIBSE, SoPHE and ICOM, our experts are at the forefront of setting industry standards, and offer unrivalled technical support for our customers every step of the way – from design and commissioning, to installation and maintenance.

Andrews offers a solution for every application:

- Hospitals and Health Care
- Sports and Leisure
- Hotels and Hospitality
- Emergency Services
- Schools, Colleges and Universities
- Outdoor Events and Festivals
- Laundry
- Health and Fitness
- Care Homes
- Military
- Catering

Six reasons it has to be Andrews



Britain's No.1

Established in 1976, Andrews is the leading supplier of gas-fired commercial water heaters in the UK.



Market-leading expertise

As active members of CIBSE, SoPHE and ICOM, we are at the forefront of setting industry standards, keeping our customers one step ahead of changing legislation.



Reliability you can trust

Our products are built to perform, even in the most demanding environments. We have a focus on innovation and our range is continually evolving to answer customer needs and exceed building regulations.



Unrivalled design support

Technical data sheets, BIM and CAD files are available online, 24 hours a day, 365 days a year.



Expert technical advice

You can rely on our dedicated team every step of the way from planning and commissioning to servicing and maintenance. We offer on and off-site assistance, including expert advice on system design and hydraulic schematics.



Exceptional aftersales service

You can trust in our continued support with commissioning visits and in-warranty service and repairs – and if you need expert engineer support, we're here for you round the clock with our 24/7 hotline.

Andrews is an Investors in People organisation. All of our systems and procedures meet the highest standards, including ISO 9001 (quality management) and ISO 14001 (environmental management).

Andrews. Built to perform.

Andrews Water Heaters Range Overview

Condensing



page 7

MAXXflo EVO

Delivers superior flow outputs and low NO_x for a class-leading performance, and is future-proofed with advanced BMS connectivity.



page 13

SUPAflo EVO

Produces a continuous supply of hot water and is designed for high demand environments that need high volumes of instant hot water.



page 19

ECOflo

Fully-condensing direct-fired efficient water heater suitable for large commercial properties where there's a high demand for hot water.



page 25

ECOflo COMPACT

High efficiency condensing floor-standing storage water heater designed to meet your toughest installation challenges and hot water demands.



page 29

COMBiflo

A range of condensing stainless-steel water heaters. With space heating capability, it produces both hot water and heating from a single heat generator and storage vessel enclosed in one cabinet.



page 33

FASTflo PLUS

Wall-hung condensing instant water heater. It's very easy to install with only three simple connections to fit.

Non-condensing



page 39

Hiflo EVO

High efficiency floor-standing storage water heater designed for bigger applications that require larger quantities of hot water.



page 43

CLASSICflo

Standalone gas-fired water heater that can be installed on vented or unvented systems. It's quick and easy to install, particularly as a replacement for existing water heaters.



page 46

CLASSICflo FAN FLUED

Has the addition of a fan assisted flue, making them the perfect choice for installations where longer flue runs are required.



page 49

CLASSICflo BALANCED

Offers all the advantages of the CLASSICflo but with the additional benefit of a balanced flue. The concentric flue system draws air from outside the building, making it suitable for properties where the air might be contaminated.

Size-IT - made to measure.



Size-it – the original sizing tool from the UK's number one in commercial water heating.

Size-it's comprehensive database allows you to manage, match and measure up the different parts for your property type and hot water requirements. It'll then recommend the most suitable Andrews Water Heaters solution for your job, along with a detailed summary report and all the technical information required to complete a hot water schedule.

- **Devices** – accessible online, on any device
- **Projects** – manage a portfolio of projects
- **Needs** – from efficiency credits to the latest UK legislation
- **Preferences** – user-friendly and intuitive.



Size-it

Register today at sizeit.co.uk

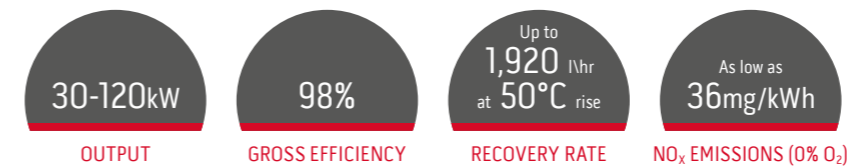
MAXXflo EVO Condensing Water Heater

Specifically designed to meet industry demands – it delivers low, future-proofed NO_x emissions. With efficiency of up to 98%, BMS connectivity offering 24/7 remote monitoring and a continuous supply of hot water with a 1920lt/hr recovery rate, it delivers class-leading performance.

Models available in 30, 60, 90 and 120kW outputs with 200 or 300 litre storage capacity.



Technical specification



Features

- 30 and 60kW single burners and twin burners between 90 and 120kW
- Independent service valves and pressure sensors on each heat exchanger in twin burner versions
- Low NO_x burners
- High efficiency modulating pumps (ErP rated A)
- Multi-line graphical display
- Ready to connect into BMS via Modbus protocol
- Full anti-legionella functions with strap-on sensor as standard

Benefits

- With fewer burners both commissioning and planned maintenance costs are minimised. Offering in-built redundancy and flexibility (90 and 120kW twin burners)
- Full built in redundancy and service flexibility as burners and heat exchangers can be isolated
- Compliant with and exceeds current legislative requirements
- Improved operating efficiencies with greater temperature control
- Access to live data, settings and history. Easy to use with full control of the burners and accurate charging of integral tank
- Easy integration into BMS for remote monitoring and control; identifies specific problems and maximises maintenance efficiency
- Control of secondary return circuit temperature and pump operation ensures protection against legionella and improves safety

Specifications

		Model (Single Burner)				
		CWH 30/201	CWH 30/301	CWH 60/201	CWH 60/301	
Energy	Heat input net (gross)	kW	28(31)	28(31)	56(62)	56(62)
	Heat output	kW	30.5	30.5	61	61
	Gross thermal efficiency	%	98	98	98	98
	Standby heat loss	kWh/day	1.68	2.26	1.68	2.26
ErP	NO _x emissions (0% O ₂)	mg/kWh	39	39	36	36
	ErP efficiency rating		A	A	A	A
	Water heater efficiency	%	95	98	91	97
	Noise level (EN15036-1 avg @1m)	dBA	53	63	53	63
Gas data	Gas flow rate (natural gas)	m ³ /hr	2.95	2.95	5.95	5.95
	Gas flow rate (propane)	m ³ /hr	1.15	1.15	2.35	2.35
Water	Storage capacity	litre	200	300	200	300
	Recovery rate through 50°C Δt	litre/hr	480	480	960	960
	Recovery rate through 56°C Δt	litre/hr	429	429	856	856
	Maximum operating pressure (unvented)	bar	6	6	6	6
	Minimum working pressure	bar	0.8	0.8	0.8	0.8
	Maximum static pressure	bar	7.5	7.5	7.5	7.5
Electrical	Fuse rating	amp	5	5	5	5
	Electrical power consumption - standby	W	3.5	3.5	3.5	3.5
	Electrical power consumption - max	W	100	145	100	145
	Electrical requirements	V	220-240V/50Hz	220-240V/50Hz	220-240V/50Hz	220-240V/50Hz
Misc	Weight full	kg	370	485	380	490
	Weight full empty	kg	155	165	170	180
	Maximum outlet temperature	°C	65	65	65	65
	Maximum flue gas temperature	°C	90	90	90	90
Service clearance	Front	mm	800	800	800	800
	Right side	mm	200	200	200	200
	Rear	mm	200	200	200	200
	Left side	mm	300	300	300	300
	Above	mm	300	300	300	300
Shipping	Shipping width	mm	880	880	880	880
	Shipping depth	mm	1160	1160	1160	1160
	Shipping height	mm	2213	2213	2213	2213
	Shipping weight	kg	224	239	234	239

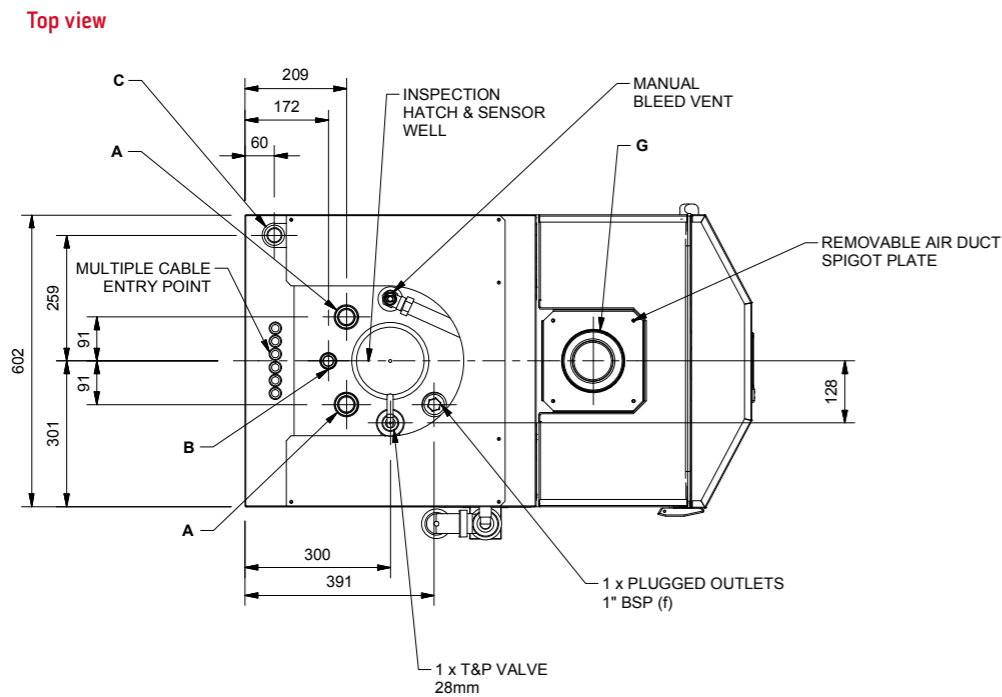
Specifications

		Model (Twin Burner)		
		CWH 90/302	CWH 120/302	
Energy	Heat input net (gross)	kW	84 (93)	112(124)
	Heat output	kW	91.6	122
	Gross thermal efficiency	%	98	98
	Standby heat loss	kWh/day	2.26	2.26
ErP	NO _x emissions (0% O ₂)	mg/kWh	39	36
	ErP efficiency rating		-	-
	Water heater efficiency	%	91	90
	Noise level (EN15036-1 avg @1m)	dBA	62	65
Gas data	Gas flow rate (natural gas)	m ³ /hr	8.7	11.6
	Gas flow rate (propane)	m ³ /hr	3.5	4.7
Water	Storage capacity	litre	300	300
	Recovery rate through 50°C Δt	litre/hr	1440	1920
	Recovery rate through 56°C Δt	litre/hr	1286	1712
	Maximum operating pressure (unvented)	bar	6	6
	Minimum working pressure	bar	0.8	0.8
	Maximum static pressure	bar	7.5	7.5
Electrical	Fuse rating	amp	5	5
	Electrical power consumption - standby	W	5.5	5.5
	Electrical power consumption - max	W	210	290
	Electrical requirements	V	220-240V/50Hz	220-240V/50Hz
Misc	Weight full	kg	485	505
	Weight full empty	kg	185	205
	Maximum outlet temperature	°C	65	65
	Maximum flue gas temperature	°C	90	90
Service clearance	Front	mm	800	800
	Right side	mm	200	200
	Rear	mm	200	200
	Left side	mm	300	300
	Above	mm	300	300
Shipping	Shipping width	mm	880	880
	Shipping depth	mm	1160	1160
	Shipping height	mm	2213	2213
	Shipping weight	kg	254	274

Accessories / Flueing / Controls

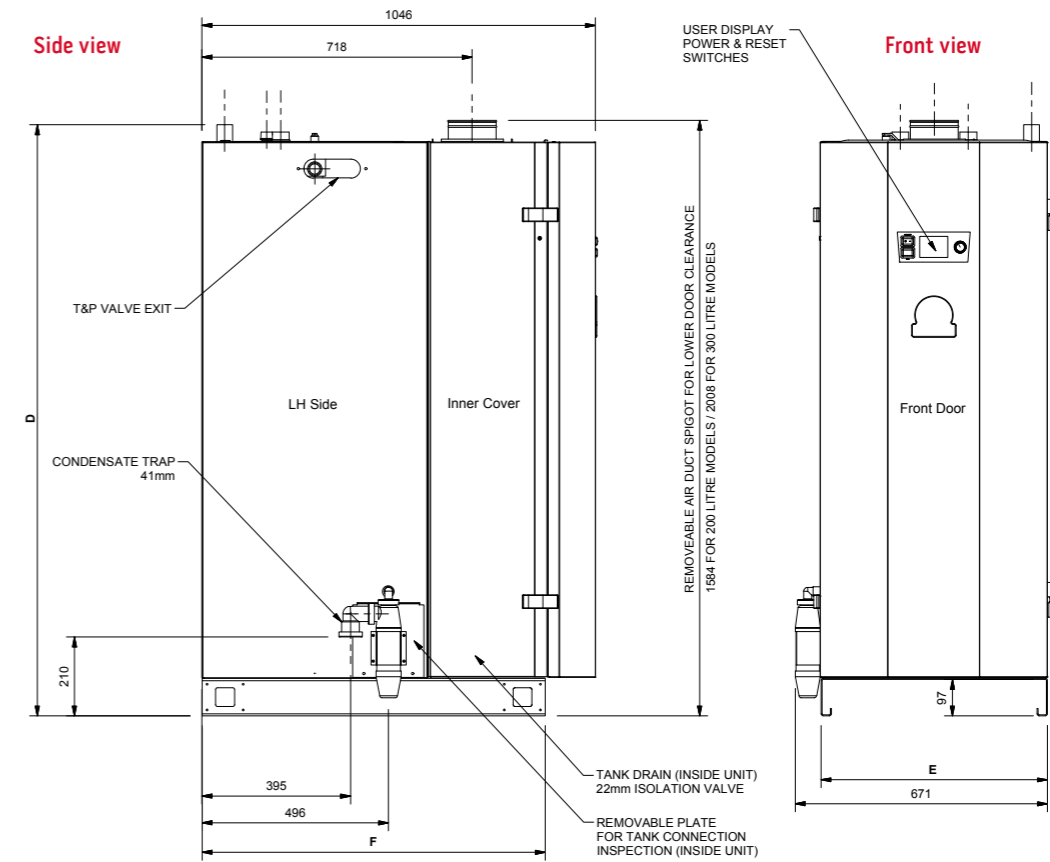
	30/201, 30/301, 60/201 and 60/301	90/302 and 120/302
Accessories	Sales code	Sales code
Unvented system kit	7726954	7726954
Set of 4 castors	7709385	7709385
Buffer-SS300-10, 300 litre stainless steel tank	7735728	7735728
Flueing	Sales code	Sales code
Horizontal flue kit	7726957	7620230*
Vertical flue kit	5103917	7620229
1m cuttable flue extension	5136148	7726994
90° elbow	5136151	7620232
45° elbow	5136150	7726992
Flat Roof Plate	E065	E217
Angled Roof Plate	E066	E218
Wall Bracket	5136152	E219
Wall Guard		E630
Flue Condense Trap	7726982	7620233
Condense Bottle Trap	E211	E211
Condense Trap Pipe Kit	E261	E261
Controls	Sales code	Sales code
Clip in expansion module	7720070	7720070

*there are no elbows included in kit 7620230



Dimensions

		Model					
		CWH 30/201	CWH 30/301	CWH 60/201	CWH 60/301	CWH 90/302	CWH 120/302
A: Inlet/outlet connections	BSP	1½	1½	1½	1½	1½	1½
B: Return connection	BSP	1	1	1	1	1	1
C: Gas connection	BSP	¾	¾	¾	¾	¾	¾
D: Water heater height	mm	1556	1980	1556	1980	1980	1980
E: Width of water heater	mm	602	602	602	602	602	602
F: Water heater depth	BSP	1046	1046	1046	1046	1046	1046
G: Flue diameter – connection balanced flue	mm	80/125	80/125	80/125	80/125	130/200	130/200



SUPAflo EVO Condensing Water Heater

SUPAflo EVO produces a continuous supply of hot water at a recovery rate of up to 9,230 litres an hour. Digital controls are built-in as standard for easy installation, diagnostics and maintenance. SUPAflo EVO is supplied with a high grade, stainless steel heat exchanger and bronze primary pump, delivering optimum efficiencies.

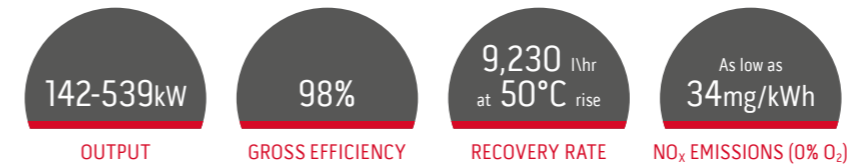
Designed to have a small footprint and fit through standard doorways, SUPAflo EVO is perfect for compact plant rooms and has built-in wheels for effortless manoeuvrability.

It's designed for high demand environments that need high volumes of instant hot water, such as health clubs, commercial laundrettes and manufacturing plants.

SUPAflo EVO is suitable for use on a conventional flue or twin pipe flue, and is recommended for installation with a direct buffer vessel.



Technical specification



Features

Benefits

98% gross efficiency	Energy efficient, cost effective operation
Hot water recovery of up to 9,230 litres per hour at 50°C	Satisfies the most demanding applications
Seven models, 142 to 539kW	Suitable for large commercial and industrial applications that require large quantities of hot water
High-quality, stainless steel heat exchanger	Very efficient and low maintenance
Compact, lightweight design with small footprint	Less space required for installation
Patented water cooled burner and integral flue burner	Low NO _x
Natural gas or LPG	Can be installed in off mains gas areas



Specifications

		Model				
		SF61 EVO	SF62 EVO	SF63 EVO	SF64 EVO	
Energy	Heat input (gross)	kW	145	194	242	291
	Heat output	kW	142	190	238	286
	Gross thermal efficiency	%	98.2	98.2	98.2	98.2
	Standby heat loss @ 70°C	%	0.21	0.18	0.17	0.16
ErP	NO _x emissions (0% O ₂)	mg/kWh	38	38	36	36
	Noise level	dBA	70	70	70	70
Gas data	Gas flow rate (natural gas)	m ³ /hr	13.3	17.8	22.2	26.7
	Gas flow rate (LPG)	kg/hr	11.3	15.2	18.9	22.7
Water	Storage capacity	litre	27	31	35	61
	Recovery rate through 50°C Δt	litre/hr	2,434	3,257	4,080	4,903
	Recovery rate through 56°C Δt	litre/hr	2,173	2,908	3,643	4,378
	Minimum working pressure	bar	1	1	1	1
	Maximum pressure	bar	8	8	8	8
Electrical	Voltage	volt/phase	240V/single phase	240V/single phase	240V/single phase	240V/single phase
	Fuse rating	amp	10	10	10	10
	Electrical power consumption	W	176/48	267/48	286/53	230/50
Misc	Weight full	kg	317	363	371	495
	Weight empty	kg	290	332	336	434

Specifications

		Model			
		SF65 EVO	SF66 EVO	SF67 EVO	
Energy	Heat input (gross)	kW	388	485	550
	Heat output	kW	381	477	540
	Gross thermal efficiency	%	98.3	98.3	98.2
	Standby heat loss @ 70°C	%	0.15	0.14	0.13
ErP	NO _x emissions (0% O ₂)	mg/kWh	36	34	34
	Noise level	dBA	77	77	77
Gas data	Gas flow rate (natural gas)	m ³ /hr	35.6	44.5	50.5
	Gas flow rate (LPG)	kg/hr	30.3	37.9	43
Water	Storage capacity	litre	68	75	82
	Recovery rate through 50°C Δt	litre/hr	6,531	8,177	9,257
	Recovery rate through 56°C Δt	litre/hr	5,832	7,301	8,265
	Operating pressure (unvented)	bar	3.5	3.5	3.5
	Minimum working pressure	bar	1	1	1
	Maximum pressure	bar	8	8	8
Electrical	Voltage	volt/phase	415V/3-phase	415V/3-phase	415V/3-phase
	Fuse rating	amp	10	10	10
	Electrical power consumption	W	504/54	620/64	676/61
Misc	Weight full	kg	564	615	677
	Weight empty	kg	496	540	595



Takes some beating without taking up space

SUPAflo EVO, built to perform even better by giving you high volume hot water instantly.

Delivering up to an impressive 9230 litres of hot water an hour, SUPAflo EVO gives instant hot water that won't let you down – even in demanding situations. It's super-efficient, not super-sized, features built-in wheels and fits through a standard doorway, giving you ease of installation.

Call our sales team on 0345 070 1055 or visit andrewswaterheaters.co.uk

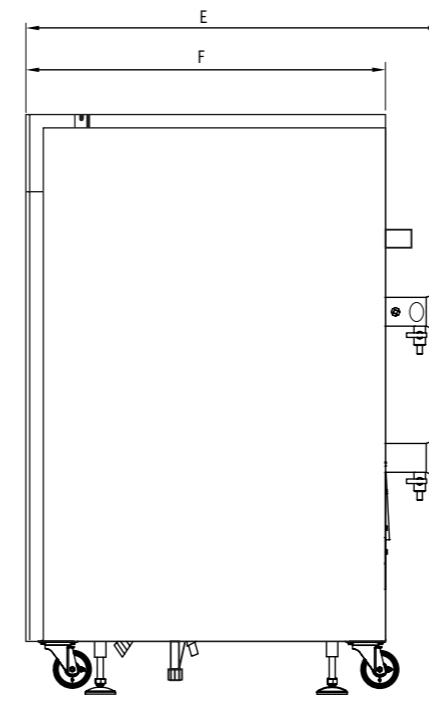


Andrews. Built to perform.

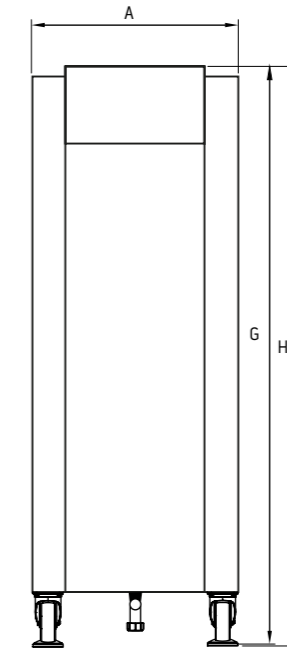
Dimensions

		Model						
		SF61 EVO	SF62 EVO	SF63 EVO	SF64 EVO	SF65 EVO	SF66 EVO	SF67 EVO
A: Heater width	mm	469	469	469	749	749	749	749
B: Flue centre	mm	235	235	235	375	375	375	375
C: Air intake centre	mm	131	131	131	149	149	149	149
D: Flow and return pipe centre	mm	104	104	104	129	129	129	129
E: Length overall	mm	1,349	1,499	1,649	1,348	1,496	1,646	1,769
F: Length of body	mm	1,165	1,315	1,465	1,152	1,302	1,452	1,602
G: Height	mm	1,456	1,456	1,456	1,456	1,456	1,456	1,456
H: Height c/w wheels	mm	1,466	1,466	1,466	1,466	1,466	1,466	1,466
I: Flue height	mm	482	482	482	490	490	490	490
J: Return port height	mm	602	602	602	601	601	601	601
K: Air intake centre	mm	1,128	1,128	1,128	1,135	1,135	1,135	1,135
L: Gas connection height	mm	1,130	1,130	1,130	1,156	1,156	1,156	1,156
M: Return port	inch	2	2	2	DN65 PN16	DN65 PN16	DN65 PN16	DN65 PN16
N: Flow port	inch	2	2	2	DN65 PN16	DN65 PN16	DN65 PN16	DN65 PN16
O: Gas connection	inch	1½	1½	1½	1½	1½	2	2
P: Air intake diameter	mm	130	130	130	130	130	150	150
Q: Flue diameter	mm	150	150	200	200	250	250	250
R: Condense diameter	mm	32	32	32	32	32	32	32

All models



Side view



Front view

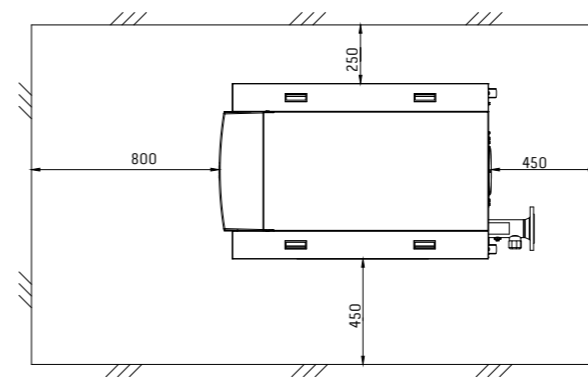
Andrews SUPAflo EVO is recommended for installation with a direct buffer vessel such as our 10 bar GL300, GL500, GL800 glass lined buffers.

Compatible vessels

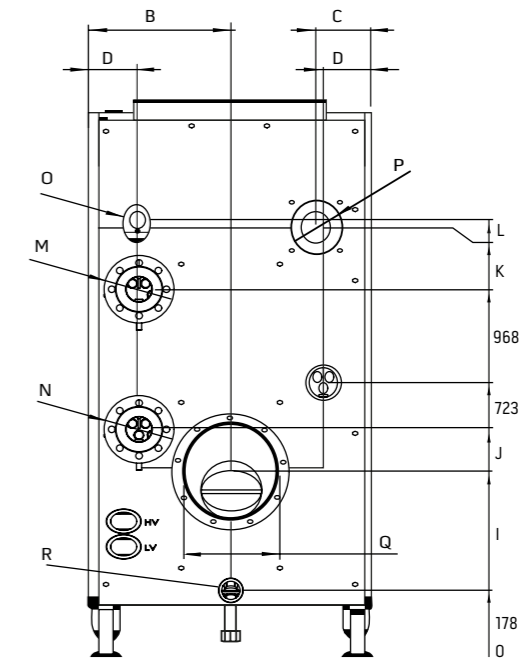
	Model	
	SF61, 62, 63 EVO	SF64, 65, 66, 67 EVO
Buffer GL300-10-2"	✓	
Buffer GL300-10-2"	✓	
Buffer GL800-10-2.5"	✓	✓

Accessories

	Model	
	SF61, 62, 63 EVO	SF64, 65, 66, 67 EVO
Sales code		
Complete unvented kit	B312	B313



Top view



Rear view

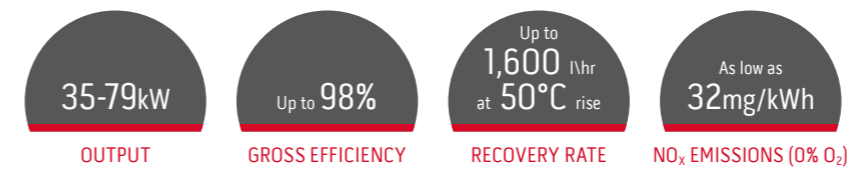
ECOflo Condensing Water Heater

The ECOflo range of storage water heaters are fully condensing, offering excellent energy efficiency, low NO_x, and exceptional hot water recovery rates.

The Vitraglas[®] lined, thermally efficient tanks are protected by maintenance free anodes, and are equipped with a Hydrojet[®] sediment reduction system which enhances the performance and prolongs the life of the product.

ECOflo is suitable for installation on a conventional flue or a concentric balanced flue.

Technical specification



Features

Benefits

Up to 98% gross efficiency	For energy efficient, cost effective operation
Recovery rates of up to 1,600 litres per hour	Can satisfy the most demanding applications
Vitraglas [®] lined storage tank and maintenance free, factory fitted Correx [®] anodes	Offering protection to the steel storage tank
Factory installed Hydrojet [®] sediment reduction system	Gives a longer and more efficient working life
Supported by a three year vessel warranty	Peace of mind for the customer
Two storage capacities available	Increased flexibility – larger storage option for peak demand
Room-sealed balanced or conventional flue	Ease of installation
Three pass flue system (unique and patented)	Increased efficiency
Ultra-quiet operation	Increased comfort
Electronic controls	Ease of use and maintenance
Factory installed Correx [®] powered anode system	Maintenance free
Large hand-hole clean-out opening	Easy inspection and cleaning
Natural gas or LPG	Available for off mains gas areas



Specifications

		Model				
		EC230/600	EC230/700	EC230/960	EC380/740	
Energy	Heat input (gross)	kW	36.6	43.9	58.3	43.9
	Heat output (gross)	kW	35.1	41.3	54.2	43
	Gross thermal efficiency	%	96	94	93	98
	Standby heat loss	kW/1/day	0.0012	0.0013	0.00135	0.00694
ErP	NO _x emissions (0% O ₂)	mg/kWh	33	37	40	32
	ErP efficiency rating		A	A	A	A
	Noise level*	dB(A)	51	51	51	51
Gas data	Gas flow rate (Natural Gas)	m ³ /hr	3.41	4.09	5.43	4.09
	Supply pressure (Natural Gas)	mbar	21	21	21	21
Water	Storage capacity	litre	230	230	230	380
	Recovery rate through 50°C Δt	litre/hr	600	700	960	740
	Recovery rate through 56°C Δt	litre/hr	537	632	830	658
	Operating pressure (unvented)	bar	3.5	3.5	3.5	3.5
	Minimum working pressure	bar	0.8	0.8	0.8	0.8
	Maximum pressure	bar	10	10	10	10
Electrical	Fuse rating	amp	5	5	5	5
	Electrical power consumption	W	120	120	120	120
	Electrical supply		230V/50Hz	230V/50Hz	230V/50Hz	230V/50Hz
Misc	Weight full	kg	450	450	450	760
	Weight empty	kg	225	225	225	385
	Maximum flue runs (concentric)	m	16	16	16	16
	Maximum flue runs (conventional)	m	32	32	32	32
Flue diameter	Conventional	mm	100	100	100	100
	Concentric	mm	100/150	100/150	100/150	100/150
Accessories	Plinth (150mm, required for all ECOflo models*)		E923	E923	E923	E923
	Unvented system kit		7703930	7703930	7703930	7703930
	LPG Conversion kit		7697588	7697589	7697590	7697591
	BMS interface kit		N/A	N/A	N/A	N/A

*@ 2m from flue terminal

**Unless 150mm high plinth is to be made or already exists in plant room

***Unvented system kit Includes: Combined pressure reducing valve 3.5bar, check valve, pressure relief valve 6bar, 24 ltr expansion vessel c/w wall bracket, temperature/pressure relief valve 7 bar/95°C, tundish T/P brass adaptor, hose assembly.

Specifications

		Model				
		EC380/980	EC380/1220	EC380/1400	EC96/380	
Energy	Heat input (gross)	kW	58.3	73.2	85	102.6
	Heat output (gross)	kW	57.1	71	79.1	96.4
	Gross thermal efficiency	%	98	97	93/96	94
	Standby heat loss	kW/1/day	0.00098	0.00115	0.00122	0.00128
ErP	NO _x emissions (0% O ₂)	mg/kWh	40	40	55	40
	ErP efficiency rating		A	A	A	A
	Noise level*	dB(A)	51	51	51	51
Gas data	Gas flow rate (Natural Gas)	m ³ /hr	5.43	6.82	7.92	9.91
	Supply pressure (Natural Gas)	mbar	21	21	21	21
Water	Storage capacity	litre	380	380	380	380
	Recovery rate through 50°C Δt	litre/hr	980	1,220	1,400	1,660
	Recovery rate through 56°C Δt	litre/hr	874	1,087	1,211	1,482
	Operating pressure (unvented)	bar	3.5	3.5	3.5	3.5
	Minimum working pressure	bar	0.8	0.8	0.8	0.8
	Maximum pressure	bar	10	10	10	10
Electrical	Fuse rating	amp	5	5	5	5
	Electrical power consumption	W	120	120	120	120
	Electrical supply		230V/50Hz	230V/50Hz	230V/50Hz	230V/50Hz
Misc	Weight full	kg	760	760	760	760
	Weight empty	kg	385	385	385	385
	Maximum flue runs (concentric)	m	16	16	16	16
	Maximum flue runs (conventional)	m	32	32	32	32
Flue diameter	Conventional	mm	100	100	100	100
	Concentric	mm	100/150	100/150	100/150	100/150
Accessories	Plinth (150mm, required for all ECOflo models*)		E923	E923	E923	E923
	Unvented system kit		7703930	7703930	7703930	7703930
	LPG Conversion kit		7697592	7697593	7697594	7763225
	BMS interface kit		N/A	N/A	N/A	B329

*@ 2m from flue terminal

**Unless 150mm high plinth is to be made or already exists in plant room

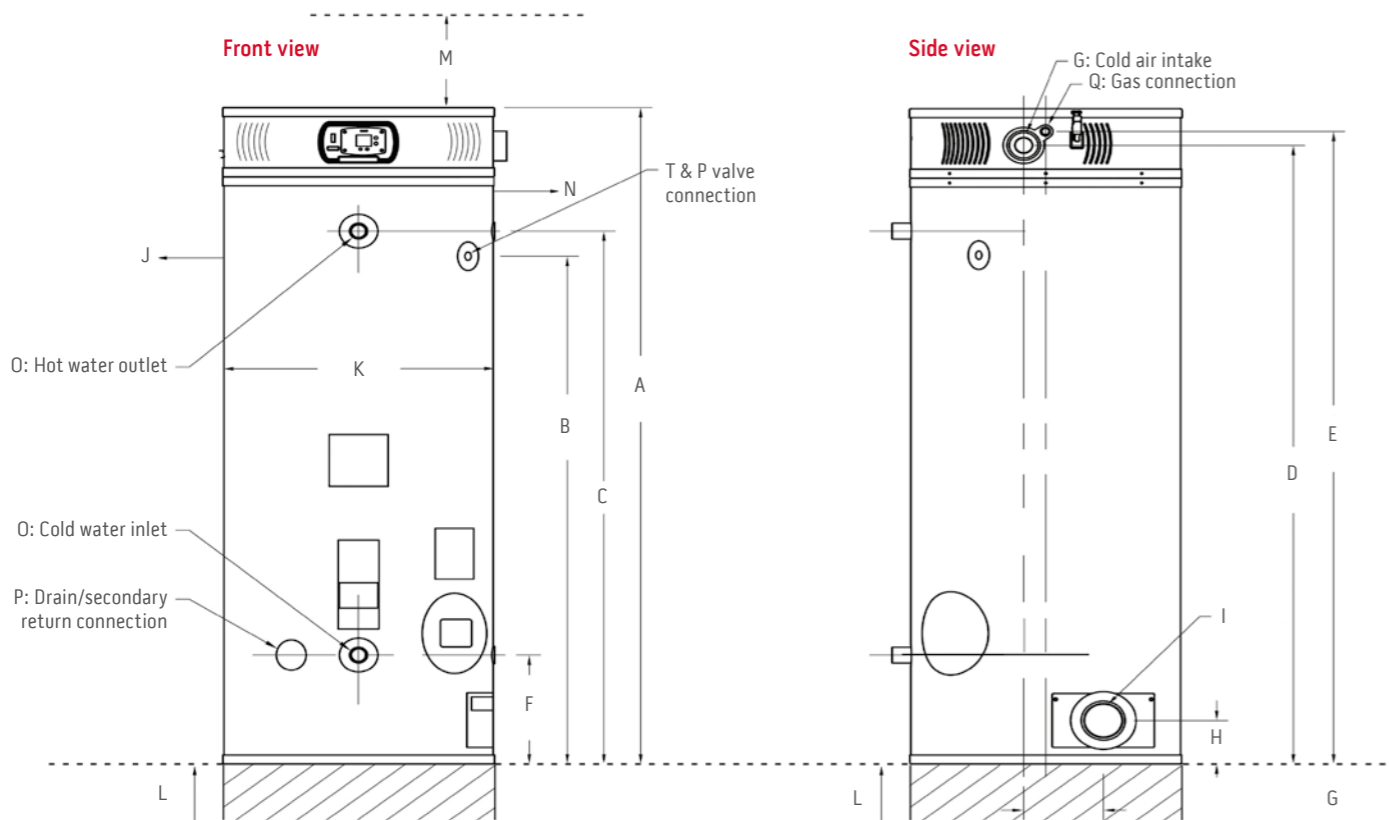
***Unvented system kit Includes: Combined pressure reducing valve 3.5bar, check valve, pressure relief valve 6bar, 24 ltr expansion vessel c/w wall bracket, temperature/pressure relief valve 7 bar/95°C, tundish T/P brass adaptor, hose assembly.

Dimensions

		Model			
		EC230/600	EC230/700	EC230/960	EC380/740
A: Top of unit	mm	1,448	1,448	1,448	1,972
B: T&P connection valve	mm	994	994	994	1,527
C: Hot water outlet	mm	1,067	1,067	1,067	1,600
D: Centre of air intake	mm	1,324	1,324	1,324	1,857
E: Height of gas connection	mm	1,366	1,366	1,366	1,899
F: Cold water inlet	mm	327	327	327	327
G: Air inlet to flue exhaust outlet	mm	210	210	210	210
H: Flue exhaust outlet (from top of plinth)	mm	130	130	130	130
I: Flue diameter	mm	100/150	100/150	100/150	100/150
J: Left and rear clearance	mm	100	100	100	100
K: Diameter	mm	718	718	718	718
L: Plinth	mm	150	150	150	150
M: Top service clearance	mm	450	450	450	450
N: Right side clearance	mm	500	500	500	500
O: Hot and cold water connection	inch	1½	1½	1½	1½
P: Secondary return connection	inch	1	1	1	1
Q: Gas connection diameter	BSP	¾	¾	¾	¾

Dimensions

		Model			
		EC380/980	EC380/1220	EC380/1400	EC 96/380
A: Top of unit	mm	1,972	1,972	1,972	1,972
B: T&P connection valve	mm	1,527	1,527	1,527	1,527
C: Hot water outlet	mm	1,600	1,600	1,600	1,600
D: Centre of air intake	mm	1,857	1,857	1,857	1,857
E: Height of gas connection	mm	1,899	1,899	1,899	1,899
F: Cold water inlet	mm	327	327	327	327
G: Air inlet to flue exhaust outlet	mm	210	210	210	210
H: Flue exhaust outlet (from top of plinth)	mm	130	130	130	130
I: Flue diameter	mm	100/150	100/150	100/150	100/150
J: Left and rear clearance	mm	100	100	100	100
K: Diameter	mm	718	718	718	718
L: Plinth	mm	150	150	150	150
M: Top service clearance	mm	450	450	450	450
N: Right side clearance	mm	500	500	500	500
O: Hot and cold water connection	inch	1½	1½	1½	1½
P: Secondary return connection	inch	1	1	1	1
Q: Gas connection diameter	BSP	¾	¾	¾	¾

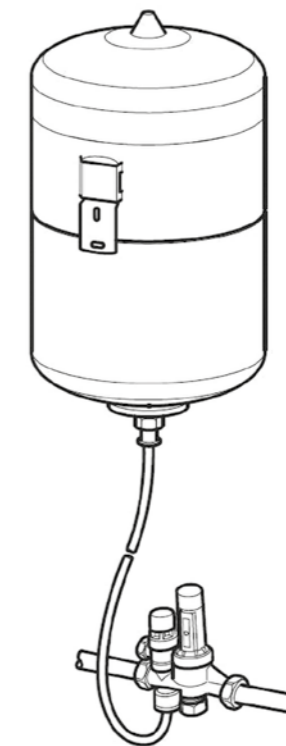


NB: Heights are given from the bottom of the heater and exclude a plinth.
 ECOflo must be sited 150mm above finished floor level in order to fit the flue condensate trap.

Flueing

Flueing	230	380
	Sales code	Sales code
Horizontal flue kit	B342	B342
Vertical flue kit	B344	B344
1 metre cuttable flue	5136159	5136159
0.5 metre flue	5136160	5136160
90° bend	5136162	5136162
45° bend	5136161	5136161
Flat roof plate	E207	E207
Angled roof plate	E208	E208
Wall clamp	5136163	5136163
Flue condensate trap	E210	E210
Siphon	E211	E211
Wall terminal guard	E105	E105

Unvented system kit



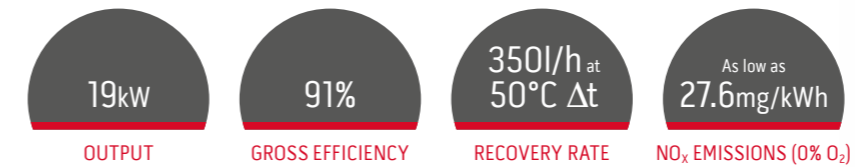
ECOflo COMPACT Condensing Water Heater

The ECOflo COMPACT is a high efficiency condensing floor-standing storage water heater designed to meet your toughest installation challenges and hot water demands. The ECOflo COMPACT is available as a 20/190 litre model.

With its extremely compact design, the ECOflo COMPACT can be installed individually or as part of a multiple installation for flexible design. Its high recovery rates can satisfy the most demanding applications whilst its high gross efficiencies ensure energy efficient, cost-effective operation.



Technical specification



Features

- Supplied with fittings pack – including draught diverter, gas cock and water drain
- Low NO_x, 27.6mg
- LCD controls
- Improved gross thermal efficiency
- Auto ignition as standard
- Hydrojet® sediment reduction system
- Natural gas or LPG

Benefits

- Easy installation and ready to go, straight out of the box
- Future proofed to the next level of ErP
- Easy control and fault diagnostics
- More efficient use of fuel and lower running costs
- More efficient use of fuel saving energy and costs
- Longer and more efficient working life
- Available for off mains gas areas

Specifications

		Model	
		20/190 NG	
Energy	Heat input (net)	kW	21.1
	Heat output (gross)	kW	19
	Gross thermal efficiency	%	91%
ErP	NO _x emissions (0% O ₂) Class 6	mg/kWh	27.2
	NO _x emissions (0% O ₂) Class 6	ppm	15
	ErP efficiency rating		A
	Noise level	dB(A)	49.3
Gas data	Gas flow rate (natural gas)	m ³ /hr	1.5
Water	Storage capacity	litre	189
	Recovery rate through 50°C Δt	litre/hr	350
	Recovery rate through 56°C Δt	litre/hr	297
	Operating pressure (nominal)	bar	3.5
	Minimum working pressure	bar	0.8
	Maximum pressure	bar	10
Electrical	Fuse rating	amp	5
	Electrical power consumption	W	300
	Electrical requirements	A	230
Misc	Weight full	kg	305
	Weight empty	kg	124
	Maximum outlet temperature	°C	80
	Maximum flue gas temperature	°C	50
Shipping	Shipping width	mm	778
	Shipping depth	mm	699
	Shipping height	mm	1890
	Shipping weight	kg	135

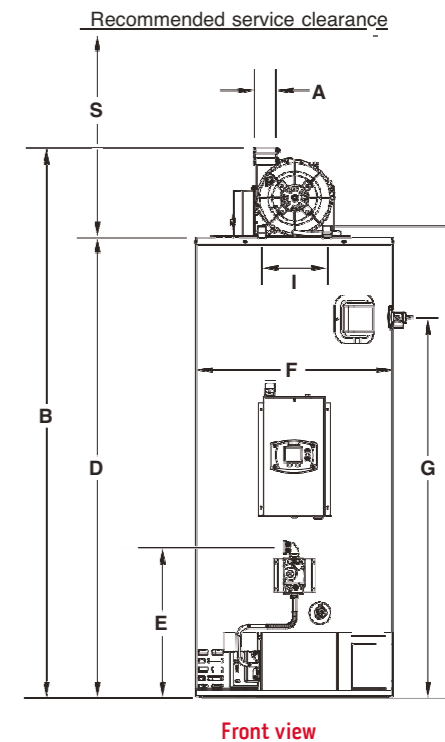
Dimensions

		Model	
		20/190 NG	
A:	Flue diameter	mm	60
B:	Height to flue	mm	1790
C:	Height to connections	mm	1,440
D:	Height to heater	mm	1,429
E:	Height to gas connection	mm	460
F:	Diameter of heater	mm	610
G:	Height to T&P valve	mm	1,180
H:	Depth of heater	mm	892
I:	Connection centre	mm	203
J:	Flue centre	mm	216
K:	Flue centre to rear	mm	254
L:	Connections to rear	mm	406
M:	Flue centre to floor	mm	1,995
O:	Front service clearance	mm	600
P:	Side service clearance	mm	300
Q:	Flue centre to wall	mm	555-7000
R:	Wall thickness	mm	150-300
S:	Top service clearance	mm	450

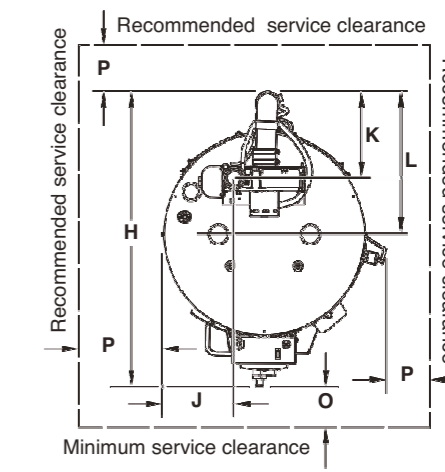
Accessories / Flueing

		20/190 NG	
		Sales code	
Accessories			
Correx® powered anode kit		7709231	
BMS remote enable kit		7705367	
Unvented system kit*		7703928	
LPG conversion kit		7722656	
Flueing			
Horizontal flue kit		7697176	
Vertical flue kit		7697174	
1 metre length cuttable flue		7697185	
Adjustable flue extension		7697186	
90° bend		7697182	
45° bend		7697183	
Vertical terminal guard		7697179	
Horizontal terminal		7697181	
Weather slate angled 25°- 45°		7697177	
Weather slate flat		7697178	
Air cover for wall & roof terminal		7697187	

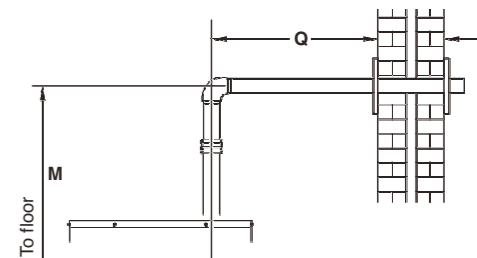
*Unvented system kit includes: Combined pressure reducing valve 3.5bar, check valve, pressure relief valve 6bar, 24 ltr expansion vessel c/w wall bracket, temperature/pressure relief valve 7bar/95°C, tundish T/P brass adaptor, hose assembly.



Front view



Top view



Vertical view

COMBiflo Condensing Water Heater

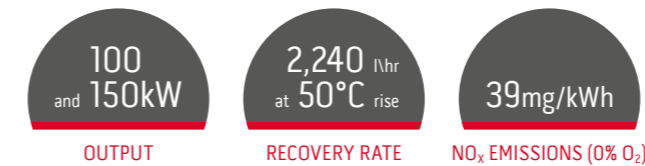
The COMBiflo condensing stainless steel water heater, with space heating capability, produces both hot water and heating from a single heat generator and storage vessel enclosed in one cabinet.

Combining up to three gas-fired heat exchangers ensures a virtually instantaneous supply of up to 2,240 litres per hour of hot water (at a 50°C rise) or 150kW of space heating.

Available in two outputs – 100 and 150kW, both with a 300 litre stainless steel storage tank – the COMBiflo can also be combined in multiples where even greater volumes of hot water or heating are required.

COMBiflo is suitable for installation on a conventional flue or a concentric balanced flue.

Technical specification



Features

Pre-packaged hot water and heating in one cabinet

Combined space and domestic hot water heater

Compact and lightweight design that can be split into two parts

Almost instantaneous hot water generation of up to 2,240 litres/hr and small integral 300 litre storage tank

Up to three gas-fired heat exchangers

Natural gas or LPG

ErP rated internal pump and circulators

WRAS approved

Immersion heater boss

Benefits

Quick and easy to install, saving time onsite

No need for separate appliances, saving space and particularly suitable for smaller plant rooms with space constraints

Easy to manoeuvre within a building; suitable for retrofit applications where plant rooms and/or access space may be limited

Reduction in standing heat losses and levels of hot water generation, saving energy and costs

Built in redundancy ensures a constant supply of hot water or heating

Available for off mains gas areas

Improved operating efficiency and performance

Complies with the Water Supply (Water Fittings) Regulations and Scottish Byelaws

Improved reliability – hot water back-up

Specifications

		Model		
		100	150	
Energy	Heat input gross (net)	kW	102.2 (94.0)	152.1 (140.0)
	Nominal heat output @ 80/60°C	kW	10.2 – 91.5	10.2 – 136.8
	Nominal heat output @ 50/30°C	kW	11.0 – 99.0	11.0 – 147.4
	Standby heat loss	W/day	140	170
ErP	NO _x emissions (0% O ₂) Class 6	mg/kWh	39	39
	NO _x emissions (0% O ₂) Class 6	ppm	22.0	22.0
	ErP efficiency rating		N/A	N/A
	Noise level (EN15036-1 average @ 1m)	LAeq	61	62
Gas data	Gas flow rate (natural gas)	m ³ /hr	9.8	14.5
	Gas flow rate (LPG)	kg/hr	3.9	5.7
	CO ₂ @ maximum/minimum output	%	9.2/8.7	9.2/8.7
	CO @ maximum/minimum output	ppm	128/3	128/3
	NO _x class		6	6
	Heating	Efficiency heat output at part load (EN15502-1) gross (net)	%	98.1 (108.9)
Efficiency heat output at full load (EN15502-1) gross (net)		%	87.7 (97.3)	88.0 (97.7)
Seasonal efficiency (Building regs part 2)		%	96.1	95.9
Maximum permitted system temperature		°C	82	82
Hydraulic resistance 20°C Δt		kPa	0.5	0.5
Condense rates		litre/hr	10	15
Water		Storage capacity	litre	300
	Recovery rate through 50°C Δt	litre/hr	1,520	2,240
	Recovery rate through 56°C Δt	litre/hr	1,357	2,000
	Operating pressure (nominal)	bar	3.5	3.5
	Minimum working pressure	bar	0.8	0.8
	Maximum pressure (vented)	bar	6	6
	Maximum pressure (unvented)	bar	5.5	5.5
	Tank construction		Stainless steel type 6	Stainless steel type 6
Electrical	Recovery rate time	mins	12	9
	Fuse rating	amp	5	5
	Power supply	V	240V/50Hz	240V/50Hz
	Electrical power consumption	W	285	425
Misc	Maximum power consumption	A	1.2	1.8
	IP rating	IP	20	20
	Weight full	kg	608	641
	Weight empty	kg	290	320
	Flue diameter	mm	130	130
	Flue system classification	N/A	B23, C13, C33 and C53	B23, C13, C33 and C53
	Maximum flue runs (single/concentric)	m	30/14	30/14
Flue gas temperature (maximum/minimum)	°C	79/50	79/50	
Concentric flue size	mm	130/200	130/200	

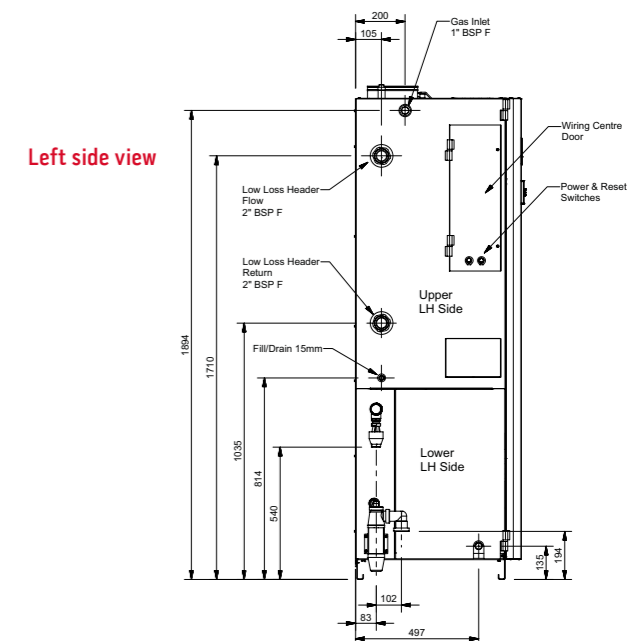
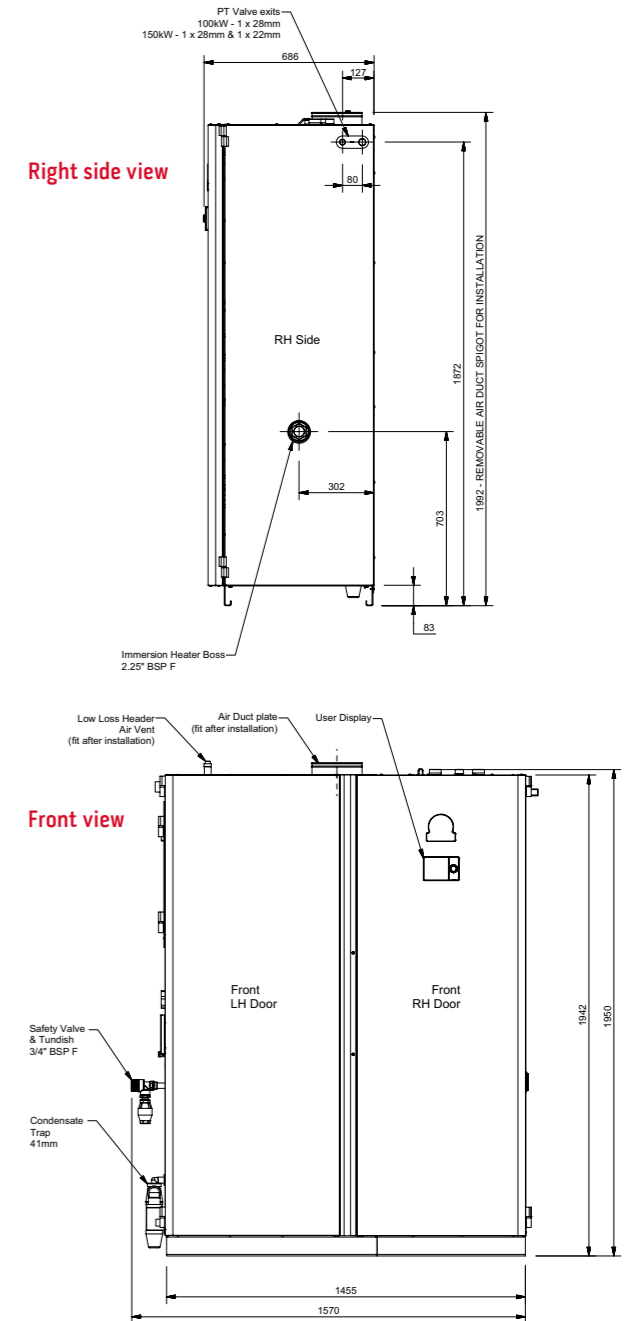
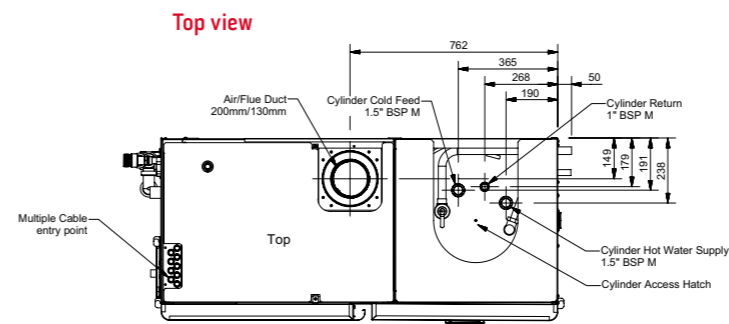
Accessories / Flueing / Controls

Accessories	100	150	Sales code
Unvented system kit			B328
Flueing			
Angled roof flashing 200mm			E218
Concentric flue length 1m 130/200mm FEL 1.0			E212
Concentric flue length (cuttable) 130/200mm FEL 1.0			E213
Concentric flue length 0.5m 130/200mm FEL 0.5			E214
Concentric 45° bend 130/200mm FEL 0.5			E216
Concentric 90° elbow 130/200mm FEL 1.0			E215
Flat roof flashing 200mm			E217
Flue condense trap 130/200 FEL 1.5			E220
Flue condense bottle trap 130/200			E211
Flue wall clamp 200mm			E219
Horizontal flue kit 130/200mm FEL 2.0			B262
Horizontal flue terminal guard			E630
Vertical flue kit 130/200mm FEL 1.6			B263
Controls			
QAC 34 outside sensor			5104726
QAD 36 flow sensor			5103867
RGB room controller (QAA55)			5138511
RGT room controller module (QAA75)			5117802
Commissioning tool			5141599

Service clearance

Front	Sides	Rear	Above
All models			
800mm	L/H 600mm* R/H 300mm*	0	350mm

*R/H immersion 600 mm



FASTflo PLUS Continuous Flow Water Heater

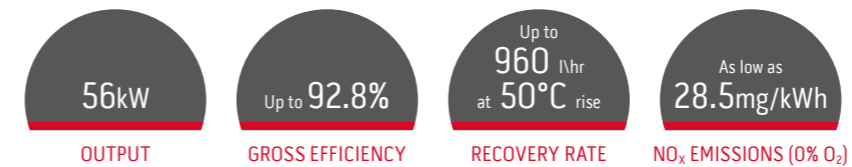
For situations where a continuous flow of hot water is required, FASTflo PLUS offers a very compact, reliable and robust solution. FASTflo PLUS can be combined in multiples of up to six units to provide a plentiful supply of instant hot water. The units are wall-hung with internal and external options, and are suitable for both natural gas and LPG. FASTflo PLUS is a fully condensing range.

FASTflo PLUS are suitable for installation on a conventional flue or a concentric balanced flue.



Product shown FASTflo PLUS WHiCX56 – external

Technical specification



Features

Benefits

Up to 16 litres per minute	Satisfies the most demanding applications
Internal or external models available	Flexible siting, especially where space is at a premium
Copper-finned tube heat exchanger	Low maintenance, reliable and robust
5:1 fully modulating burner	Adjusts the burner to meet the desired water temperature with no standby heat loss
Flexible flueing options	Suits most applications
Low NO _x	Environmental savings and compliant with latest legislation
Factory fitted frost protection	Can be installed externally and in areas without heating (external model only)
Natural gas and LPG	Improved flexibility for siting – especially in remote areas

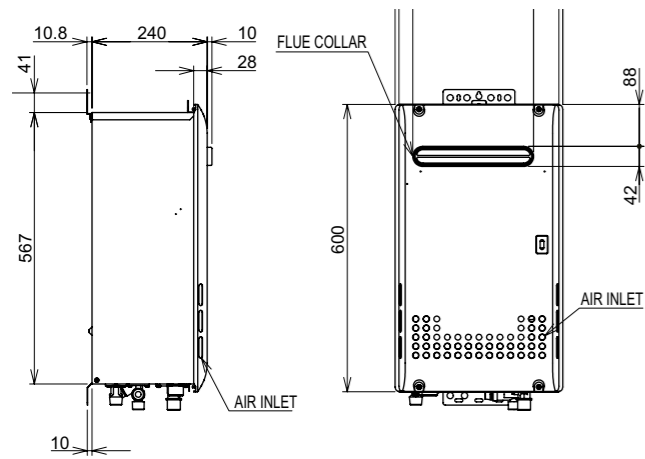
Natural gas specifications

Product code		Model		
		WHiC56	WHiCX56	
7689819		7689821		
Energy	Heat input (net)	kW	54	53.5
	Heat output (gross)	kW	56	56
ErP	NO _x emissions (0% O ₂)	mg/kWh	43.8	28.5
	ErP efficiency rating		A	A
	Water heater efficiency	%	91.2	91.9
	Noise level	dBA	58	62
Water	Hot water capacity at 25°C rise	litre/min	32	32
	Hot water capacity at 50°C rise	litre/min	16	16
	Operating pressure (unvented)	bar	2	2
	Minimum working pressure	bar	1	1
	Maximum pressure	bar	10	10
Electrical	Fuse rating	amp	10	10
	Electrical power consumption	W	75.9	75.9
	Electrical requirements	V	230	230
Misc	Weight empty	kg	32	32
	Maximum outlet temperature	°C	80	80
Dimensions	Flue diameter - conventional flue	mm	100	n/a
	Flue diameter - concentric balanced flue	mm	n/a	n/a
Service clearance	Front	mm	600	600
	Sides	mm	200	150
	Above	mm	300	300
Shipping	Shipping width	mm	578	578
	Shipping depth	mm	359	359
	Shipping height	mm	780	780
	Shipping weight	kg	37	37

LPG specifications

Product code		Model				
		LWHi49	LWHiX49	LWHiC56	LWHiCX56	
7689844		7689846				
7689821		7689822				
Energy	Heat input (net)	kW	53.5	53.5	54	53.5
	Heat output (gross)	kW	49	49	56	56
ErP	NO _x emissions (0% O ₂)	mg/kWh	48.8	36.8	42.3	50.3
	ErP efficiency rating		B	B	A	A
	Water heater efficiency	%	81	80	90.6	92.8
	Noise level	dBA	61	66	58	62
Water	Hot water capacity at 25°C rise	litre/min	28	28	32	32
	Hot water capacity at 55°C rise	litre/min	14	14	16	16
	Operating pressure (unvented)	bar	2	2	2	2
	Minimum working pressure	bar	1	1	1	1
	Maximum pressure	bar	10	10	10	10
Electrical	Fuse rating	amp	10	10	10	10
	Electrical power consumption	W	81	75.9	75.9	75.9
	Electrical requirements	V	230	230	230	230
Misc	Weight empty	kg	28	26	32	32
	Maximum outlet temperature	°C	80	80	80	80
Dimensions	Flue diameter - conventional flue	mm	n/a	n/a	100	n/a
	Flue diameter - concentric balanced flue	mm	80-125	n/a	n/a	n/a
Service clearance	Front	mm	600	600	600	600
	Sides	mm	100	150	200	150
	Above	mm	300	300	300	300
Shipping	Shipping width	mm	425	425	578	578
	Shipping depth	mm	361	321	359	359
	Shipping height	mm	789	776	780	780
	Shipping weight	kg	33	31	37	37

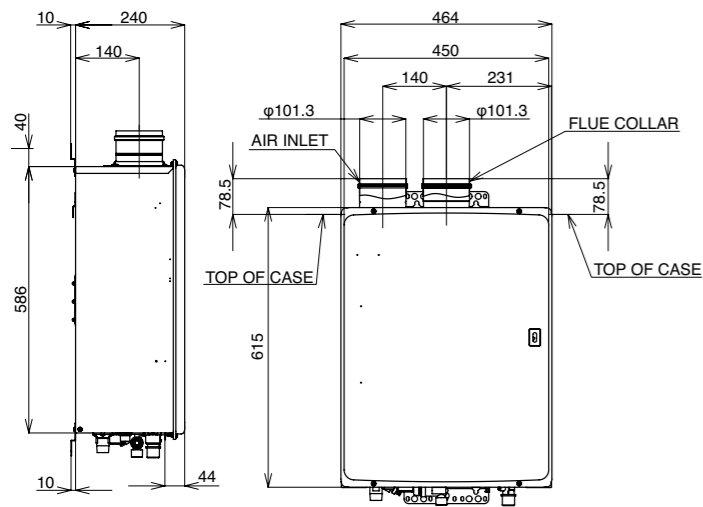
WHiX56



External side view

External front view

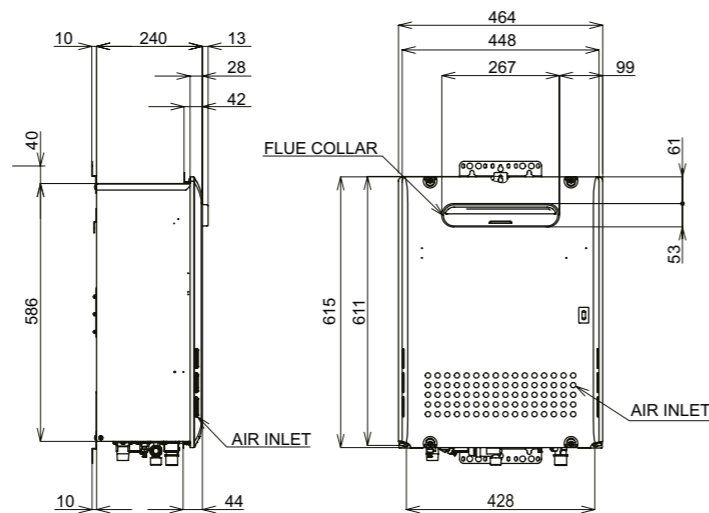
WHiC56



Internal side view

Internal front view

WHiCX56



External side view

External front view

Flueing

WHiC56 LWHiC59

Flueing	Sales code
Horizontal flue kit	7705315
Vertical flue kit	7705316
1 metre cuttable flue length 100/150	5136159
0.5 metre flue length 100/150	5136160
45° bend 100/150	5136161
90° bend 100/150	5136162
Wall bracket 150 mm	5136163
Siphon kit c/w condensate trap	5136164
Locking clamp 150 mm	5136165
Flat roof plate 150 mm	7704831
Angled roof plate 150 mm	7704832
Wall terminal guard	E105

Accessories / Controls

ALL

Accessories	Sales code
Unvented system kit – FASTflo PLUS	7711996
Unvented system kit – multiple units	7711997
3 speed bronze pump kit	B249

Controls	Sales code
Remote controller kit*	7705368
Quick connect kit for linking any two units*	7705369
System controller kit for cascade of up to 3 to 6 heaters x 56kW units*	7705370

*a controller kit is required with every FASTflo PLUS Range installation

Hiflo EVO Gas Fired Storage Water Heater

The Hiflo EVO is a high efficiency, floor-standing storage water heater suitable for applications that require larger quantities of hot water. Five models are available ranging from 30 to 65kW, all with top or side water connections to offer flexible installation options.

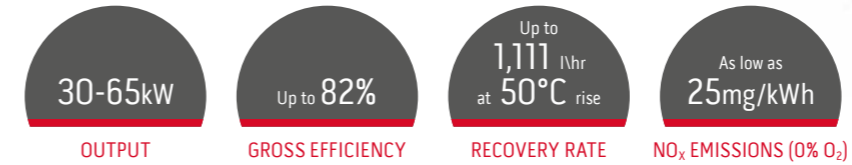
Hiflo EVO is suitable for installation on a conventional flue.



Model shown 65/173



Technical specification



Features

- Five models from 30-65kW
- Top or side mounted water connections
- A recovery rate of up to 1,111 litres per hour
- Factory installed Hydrojet® sediment reduction system
- Inspection door fitted to all models
- Low NO_x 25-39mg
- Natural gas or LPG

Benefits

- Wide range to suit many applications
- Flexible installation options for the installer
- Excellent hot water performance
- Gives a longer and more efficient working life
- Assists access for maintenance and service
- Environmental savings and compliant with latest legislation
- Available for off mains gas areas

Specifications

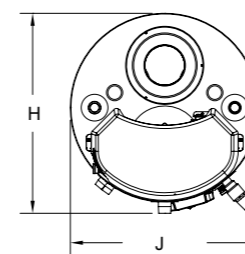
		Model					
		HF 30/300	HF 48/300	HF 65/300	HF 48/380	HF 65/380	
Product code		7697158	7697159	7697160	7697161	7697162	
Energy	Heat input (net)	kW	37	59	79	59	79
	Heat output (gross)	kW	30	48	65	48	65
	Gross thermal efficiency	%	81%	81%	82%	81%	82%
	Standby heat loss	kWh/day	8.02	8.66	9.29	9.43	10.03
	ErP	NO _x emissions (0% O ₂)	mg/kWh	30	25	29	39
	ErP efficiency rating		B	B	B	B	B
	Water heater efficiency	%	75	72	70	67	67
	Noise level	dB(A)	51	51	51	51	51
Gas data	Gas flow rate (natural gas)	m ³ /hr	3.41	5.44	7.38	5.44	7.38
Water	Storage capacity	litre	303	303	303	380	380
	Recovery rate through 50°C Δt	litre/hr	520	829	1111	829	1111
	Recovery rate through 56°C Δt	litre/hr	464	741	992	741	992
	Operating pressure (unvented)	bar	3.5	3.5	3.5	3.5	3.5
	Minimum working pressure	bar	0.8	0.8	0.8	0.8	0.8
	Maximum pressure	bar	10	10	10	10	10
	Electrical	Fuse rating	amp	5	5	5	5
	Electrical power consumption	W	120	210	210	210	210
	Electrical requirements	V	230	230	230	230	230
Misc	Weight full	kg	510	510	515	628	628
	Weight empty	kg	210	210	214	250	250
	Maximum outlet temperature	°C	80	80	80	80	80
	Maximum flue gas temperature	°C	230	230	230	230	230
Service clearance	Front	mm	300	300	300	300	300
	Sides	mm	300	300	300	300	300
	Above	mm	762	762	762	762	762
Shipping	Shipping width	mm	864	864	864	864	864
	Shipping depth	mm	768	768	768	768	768
	Shipping height	mm	2120	2120	2120	2120	2120
	Shipping weight	kg	243	243	247	287	287

Dimensions

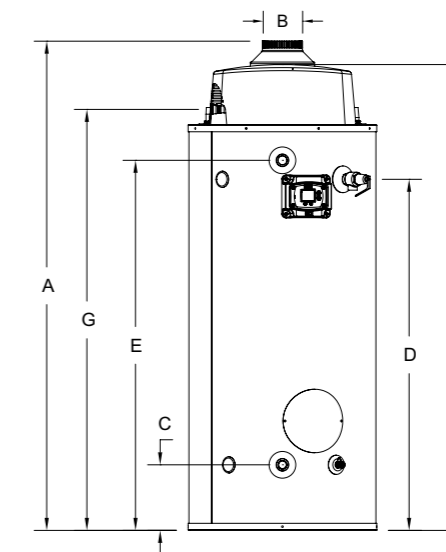
		Model				
		HF 30/300	HF 48/300	HF 65/300	HF 48/380	HF 65/380
A: Height	mm	1600	1,645	1,645	1,861	1,861
B: Flue	mm	127	152	152	152	152
C: Inlet	mm	254	254	254	254	254
D: T&P valve	mm	1,118	1,118	1,118	1,334	1,334
E: Hot water outlet	mm	1,194	1,194	1,194	1,410	1,410
F: Top of control panel	mm	1,556	1,556	1,556	1,772	1,772
G: Height of Gas Pipe	mm	1416	1,416	1,416	1,607	1,607
H: Unit depth	mm	762	762	762	762	762
J: Unit width	mm	718	718	718	718	718
K: Height to hot water outlet	mm	1,391	1,391	1,391	1,607	1,607

Accessories / Controls

		All
Accessories		Sales code
Unvented systems kit		7703930
LPG conversion kit for HF 30/300		7697168
LPG conversion kit for HF 48/300		7697169
LPG conversion kit for HF 65/300		7697170
LPG conversion kit for HF48/380		7697171
LPG conversion kit for HF65/380		7697172
Controls		Sales code
Remote enable kit		7697193



Top view



External rear view

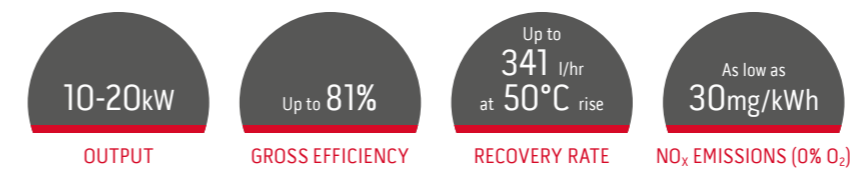
CLASSICflo Gas Fired Storage Water Heaters

The CLASSICflo is a standalone gas-fired water heater suitable for installation on vented, unvented or boosted systems. CLASSICflo is particularly suited for the light commercial market place. It is quick and easy to install, particularly as a replacement for existing water heaters and is straight forward to service and maintain.

CLASSICflo is suitable for installation on a conventional flue.



Technical specification



Features

Five models
 Recovery rates of up to 341 litres per hour at 50°C rise
 Vitraglas® enamelled lining
 Factory installed Hydrojet® sediment reduction system
 Non CFC foam insulation
 Natural gas or LPG
 Low NO_x

Benefits

A suitable model for replacement applications
 High volumes of hot water available
 Offering protection to the steel storage tank
 Improving water heater recovering rate
 Improved standby losses and jacket rigidity
 Can be converted for off mains gas areas
 Environmental savings and compliant with latest legislation

Specifications

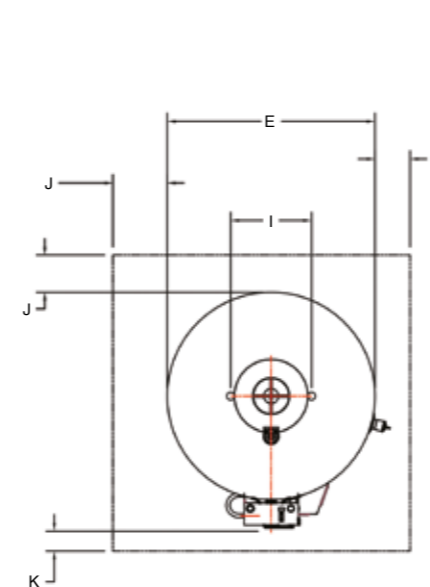
		Model					
		10/105	10/145	14/175	15/270	20/360	
Product code		7697119	7697120	7697121	7697122	7697123	
Energy	Heat input (gross)	kW	12.3	12.9	17.6	19	24.9
	Heat output (gross)	kW	10	10	14	15	20
	Gross thermal efficiency	%	81%	77%	79%	79%	80%
	Standby heat loss	kWh/day	3.36	3.38	4.68	5.59	7.56
ErP	NO _x emissions (0% O ₂)	mg/kWh	30	37	50	33	40
	ErP efficiency rating		B	B	B	B	B
	Water heater efficiency	%	63	64	63	60	62
	Noise level	dB(A)	40	40	40	40	40
Gas data	Gas flow rate (natural gas)	m ³ /hr	1.03	1.08	1.47	1.59	2.08
Water	Storage capacity	litre	105	144	175	270	360
	Recovery rate through 50°C Δt	litre/hr	169	177	241	261	341
	Recovery rate through 56°C Δt	litre/hr	151	158	216	233	305
	Operating pressure (unvented)	bar	3.5	3.5	3.5	3.5	3.5
	Minimum working pressure	bar	0.8	0.8	0.8	0.8	0.8
	Maximum pressure	bar	10	10	10	10	10
Electrical	Fuse rating	amp	3	3	3	3	3
	Electrical power consumption	W	120	120	120	120	120
	Electrical requirements	V	230	230	230	230	230
Misc	Weight full	kg	159	209	257	380	512
	Weight empty	kg	55	65	82	111	153
	Maximum outlet temperature	°C	80	80	80	80	80
	Maximum flue gas temperature	°C	300	300	300	300	300
Service clearance	Front	mm	610	610	610	610	610
	Sides	mm	305	305	305	305	305
	Above	mm	762	762	762	1143	1270
Shipping	Shipping width	mm	518	560	560	668	770
	Shipping depth	mm	510	685	685	780	900
	Shipping height	mm	1163	1245	1460	1530	1752
	Shipping weight	kg	64	74	91	120	188

Dimensions

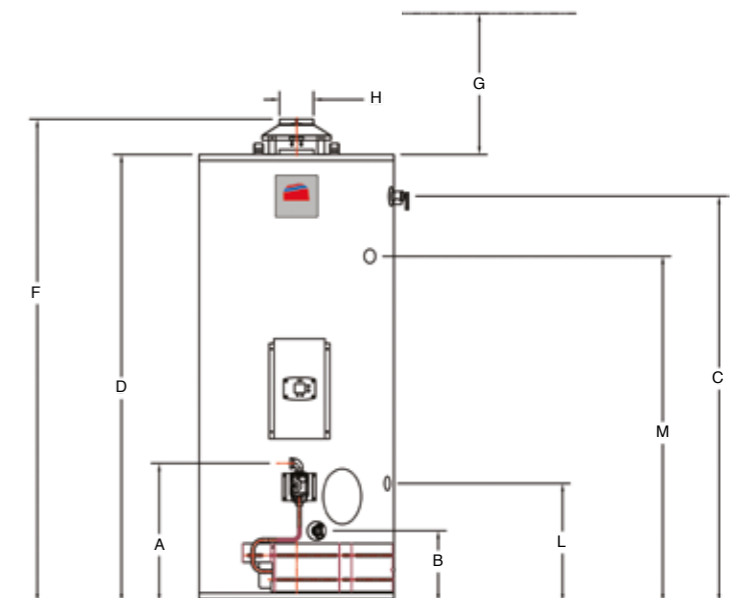
		Model				
		10/105	10/145	14/175	15/270	20/360
A: Gas connection	mm	406.5	406.5	406.5	456.9	456.9
B: Drain cock	mm	200	200	200	262	260.4
C: Relief valve port	mm	981	1,041	1,267	1,319	1,492
D: Height of heater	mm	1,140	1,222	1,439	1,515	1,646
E: Heater diameter	mm	508	559	559	660	718
F: Height to flue	mm	1,220	1,300	1540	1,595	1,776
G: Service clearance	mm	762	762	762	762	762
H: Flue diameter	mm	102	102	102	125	125
I: Connection centre	mm	203	203	279	279	406
J: Side service clearance	mm	305	305	305	305	305
K: Front service clearance	mm	610	610	610	610	610
L: Lower port	mm	N/A	N/A	340	424	435

Accessories / Controls

		All
Accessories		Sales code
Unvented system kit		7703928
Correx® powered anode kit		7705306
LPG conversion kit for 10/105		7697163
LPG conversion kit for 10/145		7697164
LPG conversion kit for 14/175		7697165
LPG conversion kit for 15/270		7697166
LPG conversion kit for 20/360		7697167
Controls		Sales code
Remote enable kit		7705366



Top view



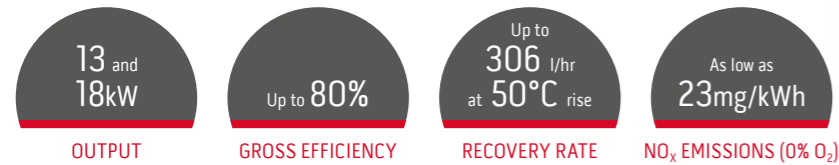
Front view

CLASSICflo FAN FLUED Gas Fired Storage Water Heater

With all the advantages of the CLASSICflo, the CLASSICflo FAN FLUED has the addition of a fan assisted flue, making it the perfect choice by offering increased installation flexibility.

Ultra-low NO_x emissions ensure compliance with the latest regulations.

Technical specification



Model shown CLASSICflo FAN FLUED



Features

- Two models, 174 and 270 litres storage capacity
- Recovery rate up to 306 litres per hour
- Vitraglas® enamelled lining
- Factory installed Hydrojet® sediment reduction system
- Non CFC foam insulation
- 80mm diameter horizontal or vertical flue kits available
- Low NO_x

Benefits

- Provides instant hot water for peak demands
- Excellent hot water recovery rate
- Offering protection to the steel storage tank
- Improving water heater recovering rate
- Improved standby losses and jacket rigidity
- Flexible siting and longer flue runs
- Environmental savings and compliant with latest legislation

Specifications

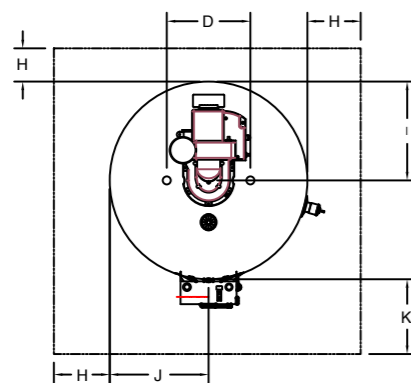
		Model		
		RFF 13/175	RFF 18/270	
Product code		7697151	7697152	
Energy	Heat input (gross)	kW	16.4	22.3
	Heat output (gross)	kW	13	18
	Gross thermal efficiency	%	79%	80%
	Standby heat loss	kWh/day	3.14	3.77
ErP	NO _x emissions (0% O ₂)	mg/kWh	23	37
	ErP efficiency rating		B	B
	Water heater efficiency	%	75	77
	Noise level	dBA	49	49
Gas data	Gas flow rate (natural gas)	m ³ /hr	1.37	1.86
Water	Storage capacity	litre	174	270
	Recovery rate through 50°C Δt	litre/hr	225	306
	Recovery rate through 56°C Δt	litre/hr	201	273
	Operating pressure (unvented)	bar	3.5	3.5
	Minimum working pressure	bar	0.8	0.8
	Maximum pressure	bar	10	10
Electrical	Fuse rating	amp	3	3
	Electrical power consumption	W	236	236
	Electrical requirements	V	230	230
Misc	Weight full	kg	253	383
	Weight empty	kg	79	114
	Maximum outlet temperature	°C	80	80
	Maximum flue gas temperature	°C	300	300
Shipping	Shipping width	mm	560	668
	Shipping depth	mm	685	780
	Shipping height	mm	1704	1760
	Shipping weight	kg	88	123

Dimensions

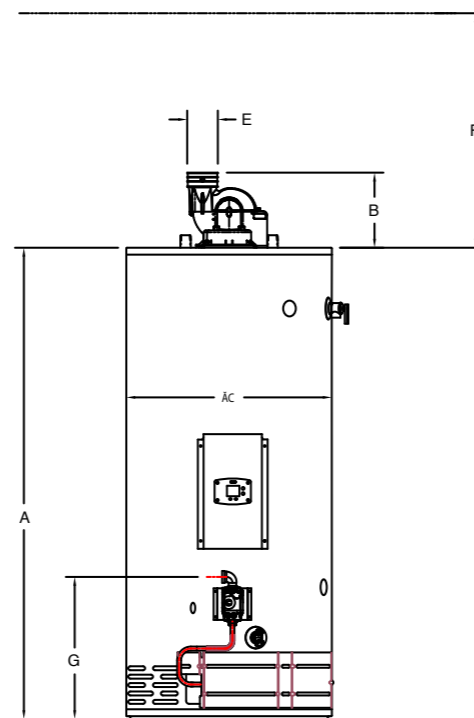
		Model	
		RFF 13/175	RFF 18/270
A: Height of heater	mm	1,440	1,527
B: Height of fan	mm	241	267
C: Heater diameter	mm	557	660
D: Front service clearance	mm	280	279
E: Flue Diameter	mm	80	80
F: Top service clearance	mm	1,400	1,400
G: Height of gas connection	mm	401.3	438
H L: Side service clearance	mm	305	305
I M: Connection to rear	mm	280	280
J N: Side to centre	mm	280	280
K O: Between connections	mm	610	610

Accessories / Flueing / Controls

	All
Accessories	Sales code
Unvented system kit	7703928
Correx® powered anode	7705307
Flueing	Sales code
Horizontal flue kit	7705310
Vertical flue kit	7705312
1 metre flue length	C793
0.5 metre flue length	E316
90° bend	C792
45° bend	C794
Wall terminal guard	E105
Controls	Sales code
Remote enable kit	7705367



Top view



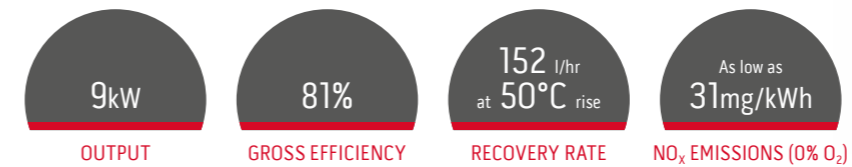
Side view

CLASSICflo BALANCED Gas Fired Storage Water Heater

The CLASSICflo BALANCED offers all the advantages of the CLASSICflo but with the additional benefit of a concentric balanced flue making it suitable for a range of properties such as dry cleaners and hair salons.



Technical specification



Features

- Two models, 145 and 179 litres storage capacity
- Recovery rate up to 152 litres per hour
- Vitraglas® enamelled lining
- Factory installed Hydrojet® sediment reduction system
- Non CFC foam insulation
- NO_x as low as 31mg/kWh

Benefits

- Provides instant hot water for peak demands
- Excellent hot water recovery rate
- Offering protection to the steel storage tank
- Improving water heater recovering rate
- Improved standby losses and jacket rigidity
- Environmental savings and compliant with latest legislation

Specifications

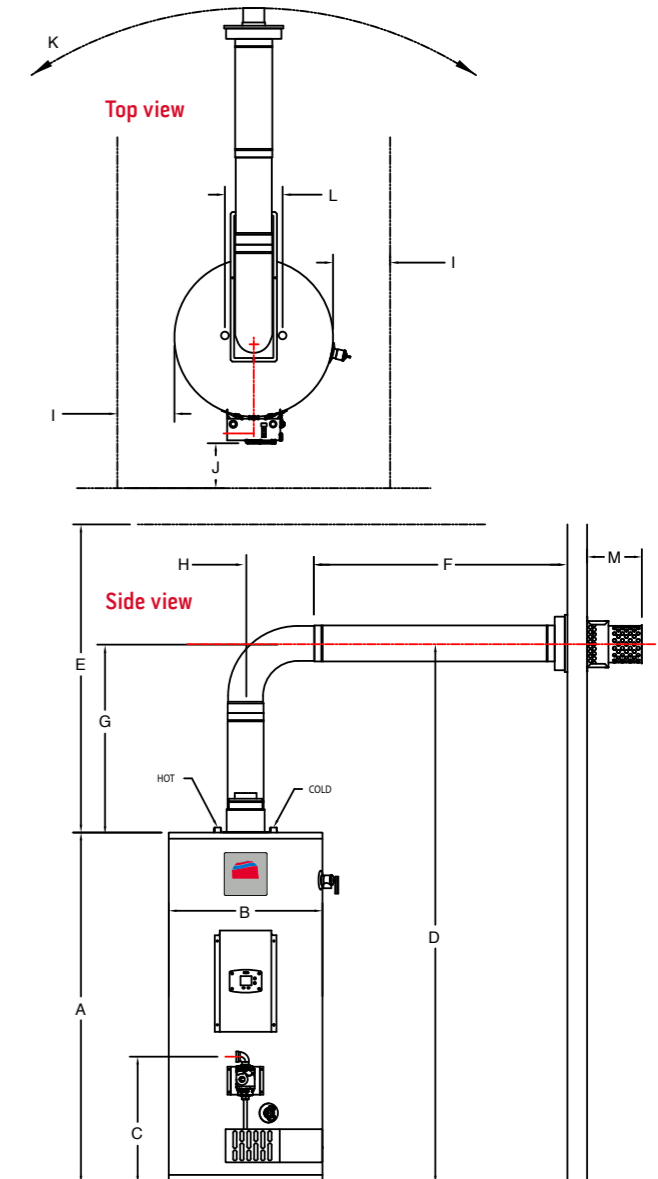
		Model		
		RSC 9/145	RSC 9/180	
Product code		7697147	7697148	
Energy	Heat input (gross)	kW	11.1	11.1
	Heat output (gross)	kW	9	9
	Gross thermal efficiency	%	81%	81%
	Standby heat loss	kWh/day	2.23	2.66
ErP	NO _x emissions (0% O ₂)	mg/kWh	31	36
	ErP efficiency rating		B	B
	Water heater efficiency	%	68	67
	Noise level	dBA	40	40
Gas data	Gas flow rate (natural gas)	m ³ /hr	0.93	0.93
Water	Storage capacity	litre	145	179
	Recovery rate through 50°C Δt	litre/hr	152	152
	Recovery rate through 56°C Δt	litre/hr	136	136
	Operating pressure (unvented)	bar	3.5	3.5
	Minimum working pressure	bar	0.8	0.8
	Maximum pressure	bar	10	10
Electrical	Fuse rating	amp	5	5
	Electrical power consumption	W	120	120
	Electrical requirements	V	230	230
Misc	Weight full	kg	216	258
	Weight empty	kg	71	79
	Maximum outlet temperature	°C	80	80
	Maximum flue gas temperature	°C	300	300
Service clearance	Front	mm	610	610
	Sides	mm	305	305
	Above	mm	1226	1226
Shipping	Shipping width	mm	566	566
	Shipping depth	mm	870	870
	Shipping height	mm	1466	1692
	Shipping weight	kg	80	89

Dimensions

		Model	
		RSC 9/145	RSC 9/180
A: Height of heater	mm	1,276	1,505
B: Heater diameter	mm	559	559
C: Height of gas	mm	461.6	461.6
D: Height of flue centre	mm	1,961 - 2131	2,190 - 2,359
E: Top Service clearance	mm	1,226	1,226
F: Flue elbow to wall	mm	750	750
G: Top of Heater to flue centre	mm	854	854
H: Flue centre to horizontal flue pipe	mm	194	194
I: Side clearance	mm	305	305
J: Front service clearance	mm	610	610
K: Vertical flue length	mm	We recommend that the flue outlet can be installed in any configuration through 180° as long as proper service clearances are observed	
L: Connection centres	mm	203.2	203.2
M: Terminal length	mm	170	170

Accessories / Flueing / Controls

		All
Accessories		Sales code
Correx® powered anode kit		7705307
Unvented system kit		7703928
Flueing		Sales code
Horizontal flue kit		7705308
Vertical flue kit		7705309
1 metre length flue		E064
0.5 metre flue		E069
90° bend		E071
45° bend		E308
Wall terminal guard		E105
Flat roof plate		E065
Angled roof plate		E066
Controls		Sales code
Remote enable kit		7705366



Our Water Heaters In Action

Newcastle Hotel, Newcastle-upon-Tyne

Uses Andrews ECOflo

A regeneration project has brought a Newcastle office block back to life as a hotel, offering its guests an ample supply of hot water after four ECOflos were installed.

The 160-room Newcastle Hotel is located opposite Central Station.

Each ECOflo water heater offers a capacity of 380 litres, ensuring there is a large amount of hot water storage to support periods of peak demand. Fast recovery rates of up to 1,400 litres per hour make the ECOflo ideal for hotels and other large commercial properties where there's constant high demand for hot water.



“We've worked with Andrews Water Heaters for many years. The range of products they offer and the after service they provide mean that they are our first choice every time.”

Steve Malone
part of the third generation that owns and runs Malones

Imperium Gym, Plymouth

Uses Andrews COMBiflo



Imperium Gym in Plymouth is not your average run-of-the-mill fitness centre.

It offers everything including state-of-the-art facilities and a café. Owners Ben Hay and Ben Wadham challenged contractors Zack Davey's team at Uni Gas to specify an efficient and reliable hot water delivery solution, particularly during peak operational times.

Uni Gas turned to Andrews Water Heaters and using the Size It Tool, COMBiflo 150/300 unit was recommended – supported with a full proposal containing a specification report, calculations and estimates of the flow rate and volume of hot water required across the premises.

Because the COMBiflo unit provides a pre-packaged turnkey solution, the installation process was simplified too.

Hotel Football, Old Trafford

Uses Andrews SUPAflo



This newly built £24million football-themed hotel is right next to Manchester United's Old Trafford stadium.

Hotel Football has 133 bedrooms, Manchester's own Cafe Football, a five-a-side rooftop football pitch, Old Trafford Supporters Club and a range of unique environments fit for providing the ultimate match day experience or hosting unique meetings and conferences.

Designed to supply large volumes of hot water, the Andrews SUPAflo SF65 water heaters are ideally suited to meet the high demand of this project. Lightweight and compact, the units were easy to install and required less floor area, allowing designers to maximise space in the plant room.



Our Training Academy

We have dedicated training academies, enabling heating engineers to refine their skills and gain practical experience in a real-world environment. It's complete training, geared towards developing all-round knowledge in heating and hot water, for everyone.

All product training is free and course content is tailored to the specific needs of the audience. We now offer a series of online commercial product training sessions to enable you to continue to develop your knowledge about our products from the safety of your own home. We also offer CIBSE-approved CPD courses, and bespoke training for distributors which focuses on identifying the correct appliance for their customers' requirements.

Join our academy today

andrewswaterheaters.co.uk/training

“Mark Lovegrove is a fantastic tutor and engineer. His knowledge of the Andrews Water Heaters is phenomenal. I highly recommend these courses that provide the relevant training but also valuable handy tips and tricks from a knowledgeable hands-on tutor.”

James Blanksby
Director, GESTI Ltd

Andrews. Built to perform.





Sales 0345 070 1055

Technical 0345 070 1057

Web andrewswaterheaters.co.uk



Registered office address: Baxi Heating UK, Brooks House, Coventry Road, Warwick CV34 4LL

April 2022

Andrews. Built to perform.

ALL TOGETHER BETTER



BAXI HEATING HAS A PORTFOLIO OF SOME OF THE BEST KNOWN AND MOST RESPECTED COMMERCIAL BRANDS IN THE HEATING INDUSTRY ACROSS THE UK AND IRELAND.



COMMERCIAL SOLUTIONS FROM BAXI HEATING

- **REMEHA** - ENGINEERING EFFICIENCY SINCE 1935
Reliably engineering high-performance and high-efficiency heating solutions.
- **ANDREWS WATER HEATERS** - BUILT TO PERFORM
UK's No. 1 commercial water heaters of choice for quality and reliability.
- **POTTERTON COMMERCIAL** - TOTALLY DEPENDABLE
Heating solutions that customers can rely on and services they can trust.
- **HEATRAE SADIA** - SMARTER CLEANER WARMER
Market-leading electric heating and hot water products.
- **PACKAGED PLANT SOLUTIONS** - INGENUITY BOXED
Leading specialists in prefabricated plant rooms from concept to completion.



GET MORE FROM BAXI HEATING

Join us for new product information, news, legislation updates, offers and FREE training.