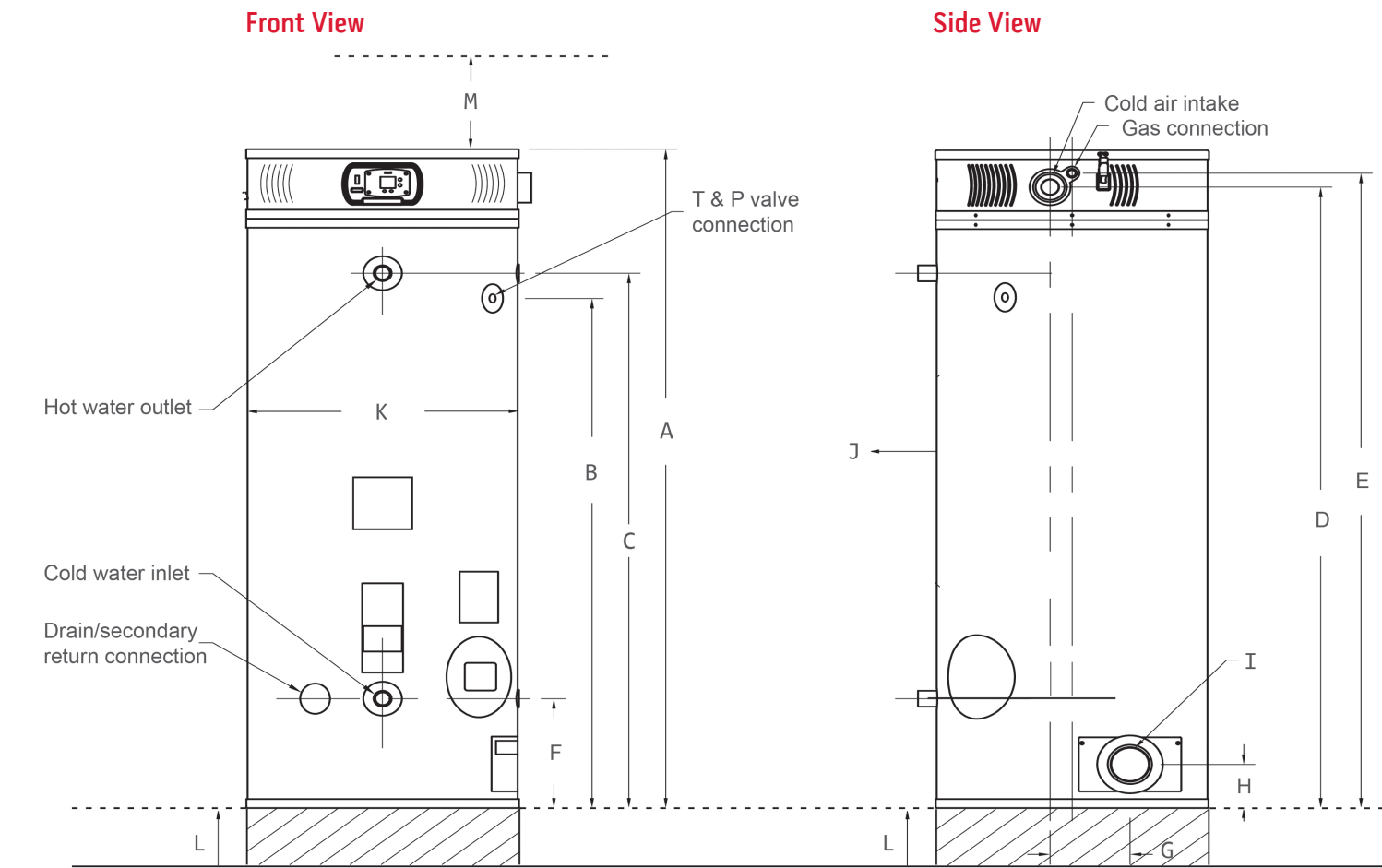


Specifications

		Model								
		Natural Gas:	EC230/600	EC230/700	EC230/960	EC380/740	EC380/980	EC380/1220	EC380/1400	EC380/1900
		Propane:	LEC230/600	LEC230/700	LEC230/960	LEC380/740	LEC380/980	LEC380/1220	LEC380/1400	LEC380/1900
Energy	Heat input (gross) natural/propane	kW	36.6	43.9	58.3	43.9	58.3	73.2	85	118.7/117.2
	Heat output natural/propane	kW	35.1	41.3	54.2	43	57.1	71	79.1	117.2/111.2
	Gross thermal efficiency natural/propane	%	96	94	93	98	98	97	93/96	94
	Standby heat loss	Mj/month	626	626	626	626	793	793	793	817
	NOx emissions (0% O ₂)	mg/kWh	44	44	44	44	44	44	44	44
	NOx emissions (0% O ₂)	ppm	25	25	25	25	25	25	25	25
ErP efficiency rating			A	A	A	A	A	A	A	A
Gas data	Gas flow rate (natural gas)	m ³ /h	3.41	4.09	5.43	4.09	5.43	6.82	7.92	11.33
	Gas flow rate (propane)	m ³ /h	1.39	1.67	2.22	1.67	2.22	2.78	3.12	4.46
Water	Storage capacity	Litre	230	230	230	380	380	380	380	380
	Recovery rate through 50°C Δt	Litre/hr	600	700	960	740	980	1220	1400	1900
	Recovery rate through 56°C Δt	Litre/hr	537	632	830	658	874	1087	1211	1702
	Operating pressure (unvented)	bar	3.5	3.5	3.5	3.5	3.5	3.5	3.5	3.5
	Minimum working pressure	bar	0.2	0.2	0.2	0.2	0.2	0.2	0.2	0.2
	Maximum pressure	bar	10	10	10	10	10	10	10	10
Electrical	Fuse rating	amp	5	5	5	5	5	5	5	5
	Electrical power consumption	W	120	120	120	120	120	120	120	120
Misc	Noise level	dB(A)	51	51	51	51	51	51	51	51
	Weight full	kg	450	450	450	760	760	760	760	760
	Weight empty	kg	259	259	259	408	408	408	408	408
	Max. flue runs (concentric)	m	16	16	16	16	16	16	16	16
	Max. flue runs (conventional)	m	32	32	32	32	32	32	32	32
Dimensions	A. Top of unit	mm	1448	1448	1448	1972	1972	1972	1972	1972
	B. T&P connection valve	mm	994	994	994	1527	1527	1527	1527	1527
	C. Hot water outlet	mm	1067	1067	1067	1600	1600	1600	1600	1600
	D. Centre of air intake	mm	1324	1324	1324	1857	1857	1857	1857	1857
	E. Height of gas connection	mm	1366	1366	1366	1899	1899	1899	1899	1899
	F. Cold water inlet	mm	327	327	327	327	327	327	327	327
	G. Air inlet to flue exhaust outlet	mm	210	210	210	210	210	210	210	210
	H. Flue exhaust outlet	mm	130	130	130	130	130	130	130	130
	I. Flue diameter	mm	100/150	100/150	100/150	100/150	100/150	100/150	100/150	100/150
	J. Left and rear clearance	mm	100	100	100	100	100	100	100	100
	K. Diameter	mm	718	718	718	718	718	718	718	718
	L. Plinth	mm	150	150	150	150	150	150	150	150
	M. Top service clearance	mm	450	450	450	450	450	450	450	450
	Right side clearance	mm	500	500	500	500	500	500	500	500
	Hot & cold water connection	Inches	1½"	1½"	1½"	1½"	1½"	1½"	1½"	1½"
	Secondary return connection	Inches	1"	1"	1"	1"	1"	1"	1"	1"



Accessories

Controls

	380/1900	ALL
BMS relay kit	B329	-
Unvented kit	-	B290

Clearance

Front	L/H Side	Rear	Above	R/H Side
1000mm	100mm	100mm	450mm	500mm

Flueing and Ancillary

	Sales code	
	230	380
Horizontal flue kit	B291	B292
Vertical flue kit	B293	B294
1 metre length flue	E202	E202
1 metre cutable flue	E203	E203
0.5 metre flue	E204	E204
90° bend	E205	E205
45° bend	E206	E206
Flat roof plate	E207	E207
Angled roof plate	E208	E208
Wall clamp	E209	E209
Flue condensate trap	E210	E210
Siphon	E211	E211
Wall terminal guard	E105	E105
Plinth (150mm)	E923	E923



Andrews. Built to perform.



Six reasons it has to be Andrews

-  **Britain's No.1**
 Established in 1976, Andrews is the leading supplier of gas-fired commercial water heaters in the UK.
-  **Market leading expertise**
 As active members of CIBSE, SOPHE and ICOM, we are at the forefront of setting industry standards.
-  **Industry leading products**
 Our product range is continually evolving, keeping our customers one step ahead of changing legislation and building regulations.
-  **Unrivalled design support**
 Technical data sheets, BIM, CAD and Size-IT programmes are available online, 24 hours a day, 365 days a year.
-  **Expert technical advice**
 Our dedicated team offers on-and off-site assistance, including expert advice on system design and hydraulic schematics.
-  **Exceptional aftersales service**
 You can rely on our support every step of the way, from planning and commissioning, to servicing and maintenance.

Andrews. Built to perform.

All the technical information you need is easy to find on our website, using your smart phone, tablet or PC:

- BIM files
- CAD files
- Brochures
- Technical specification sheets
- Case studies
- Installation manuals
- User guides
- Size-It Tool

Sales
0345 070 1055
 Technical
0345 070 1057
 Website
andrewswaterheaters.co.uk
 Twitter
@AndrewsWH

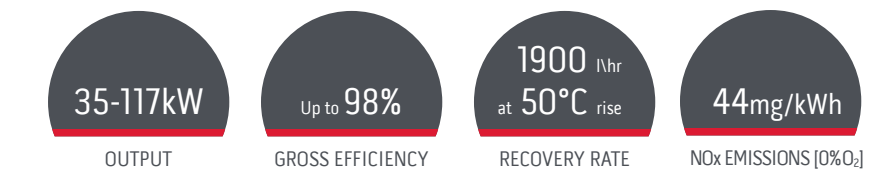


Andrews. Built to perform.

Registered office address: Baxi Heating UK, Coventry Road, Warwick CV34 4LL

ECOflo Condensing Water Heater

The ECOflo range of storage water heaters are fully condensing, offering excellent energy efficiency, ultra-low NOx and exceptional hot water recovery rates. The Vitraglas® lined thermally efficient tanks are protected by maintenance free anodes, and are equipped with Hydrojet® sediment reduction system which enhances the performance and prolongs the life of the product.



Features

- Up to 98% gross efficiency
- Recovery rates of up to 1900 litres per hour
- Vitraglas® lined storage tank and maintenance free, factory fitted Correx® anodes
- Natural gas and LPG models available
- Factory installed Hydrojet® sediment reduction system
- Supported by a 3 year vessel warranty
- WRAS approved and Energy Technology Listed*

Benefits

- For energy efficient, cost effective operation
- Can satisfy the most demanding applications
- Thermally efficient water storage. Protects glass lining and reduces service and maintenance time and costs
- Also suitable for off mains gas areas
- Gives a longer and more efficient working life
- Peace of mind for the customer
- Complies with the Water Supply (Water Fittings) Regulations and Scottish Byelaws and qualifies for the Government Enhanced Capital Allowance Scheme*

*Does not include EC230/960 model.

Tel 0345 070 1055 | Web andrewswaterheaters.co.uk

Andrews. Built to perform.

