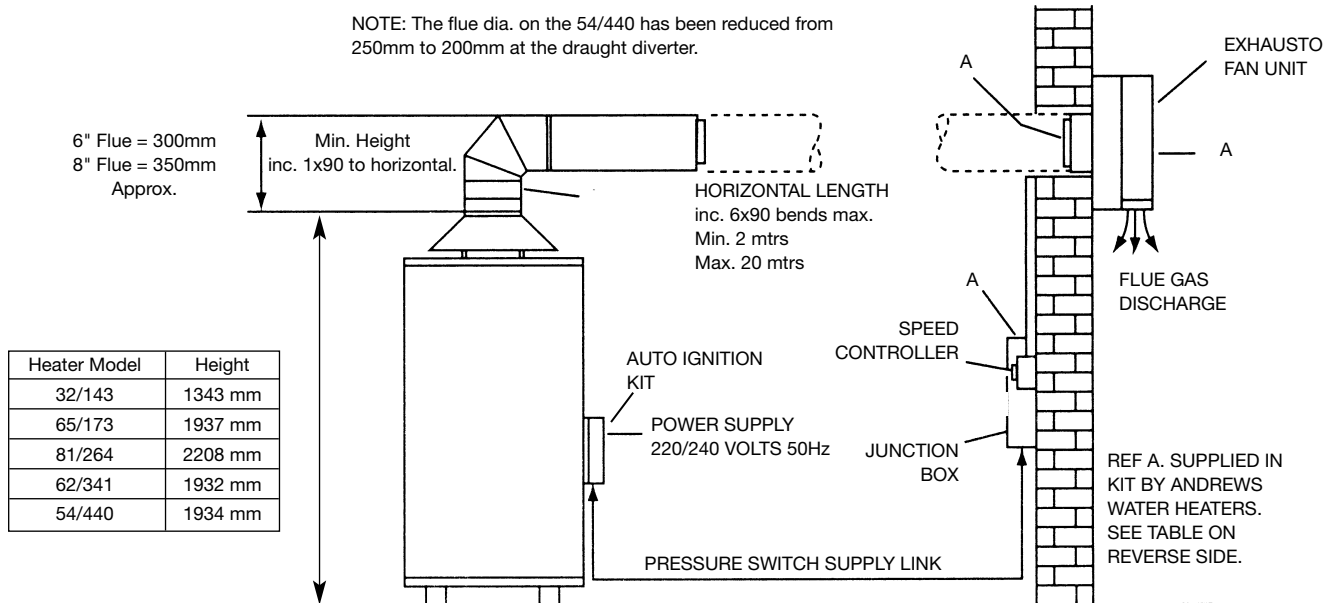


T/D 031 NATURAL GAS FIRED STORAGE WATER HEATERS

Typical Installation Hi-Flo Range with Exhausto Flue Fan and Automatic Ignition Kit



- The Exhausto Flue Fan when used on Hi-Flo Water Heaters with Automatic Ignition will give the following control facility. The Exhausto Flue Fan will run only when the thermostat is calling for heat and the burner is in operation.
- The main advantages of this system are to be seen in applications where the lack of height in a plant room or boiler house makes a conventional flue installation inappropriate or inconvenient. Also the flue diameter may be reduced (see note). It should be noted that any increase in the height of flue from the appliance will result in the horizontal length being decreased by the same distance.
- Greater freedom is gained in siting the appliance and its flue terminal.
- Removal of the flue products is more positive and less dependent on wind conditions.
- All Fan-Powered flue systems must conform with the requirements of the appliance manufacturers instructions and BS 5440 1990 Pt. 1 and BS 6644.
- The Exhausto Flue Fan system gives a fail-safe fan-assisted system for open flued gas appliances. All gas appliances must be CE-marked.
- The fan is located on a suitable external wall in a place convenient for the gas appliance and with due regard to requirements for its siting, environmental considerations, future service requirements and current building regulations, BS Standards and any local by-laws that may be in existence.
- The Exhausto Flue Fan system gives a downward discharge of the flue gases through secure grilles located on the underside of the fan housing.
- The Exhausto Fan unit is constructed from galvanised sheet metal, fitted with a centrifugal impeller and non-moving pressure differential switch, ensuring correct airflow when the appliance is used. The fan unit is supplied with a 3 metre long, 6-core heat-resistance silicon cable.
- Low maintenance requirement. It is recommended that the fan and its connections should be inspected once a year at the same time as the annual maintenance of the heating appliance.
- Low ambient sound pressure level (1 metre). Less than 63dBA at maximum speed.

CAUTION

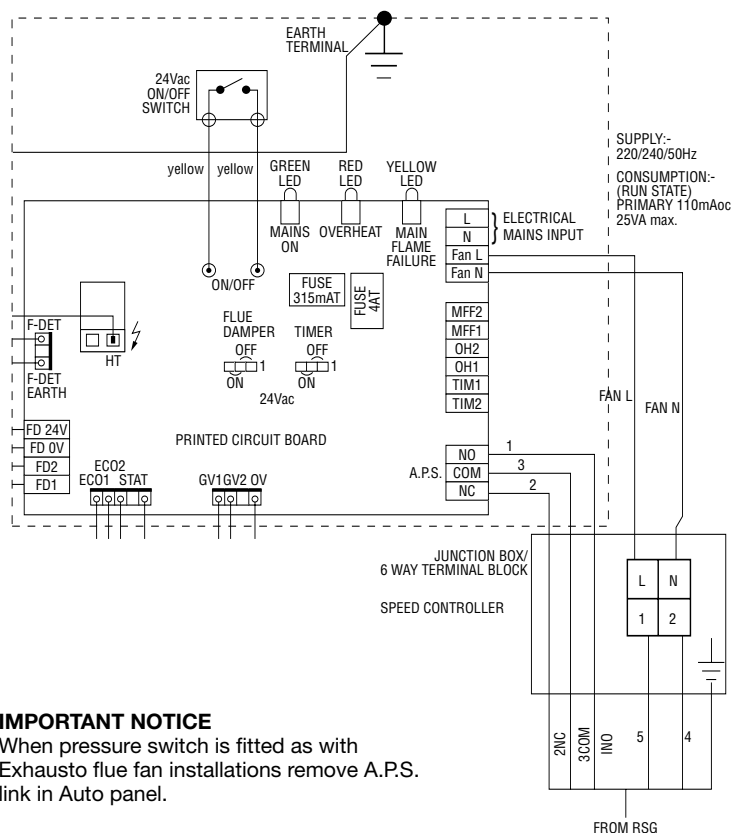
The Fan Unit must **not** be mounted directly on a timber wall or any other walls of inflammable material.

The flue pipe must **not** be in contact with any inflammable material when it is installed in the wall.

When the fan is installed in a timber framed house the recommendations of British Gas Publication DM2 'Guide to Gas Installations in Timber Framed Houses' should be observed.

T
E
C
H
N
I
C
A
L
D
A
T
A
S
H
E
E
T

INSTALLATION INSTRUCTIONS FOR AUTO IGNITION HI-FLO HEATERS WITH EXHAUSTO FLUE FAN



IMPORTANT NOTICE

When pressure switch is fitted as with Exhausto flue fan installations remove A.P.S. link in Auto panel.

ELECTRICAL SUPPLY – AUTO IGNITION UNITS WITH EXHAUSTO FLUE FAN

Wiring External to the water heater must be installed in accordance with the I.E.E. Regulations for the wiring of buildings and to any local regulations that may apply.

The Auto Ignition Heater is designed to run off 220/240V 1Ph 50Hz supply and the fuse rating is 5 Amp.

The method of connection to the mains electricity supply should facilitate complete electrical isolation of the appliance preferably by use of an unswitched shuttered socket outlet in conjunction with a fused three pin plug both complying with the requirements of BS 1363/A.

Alternatively a fused double pole switch or fused spur box serving only the heater may be used.

The point of connection to the mains should be readily accessible and adjacent to the appliance.

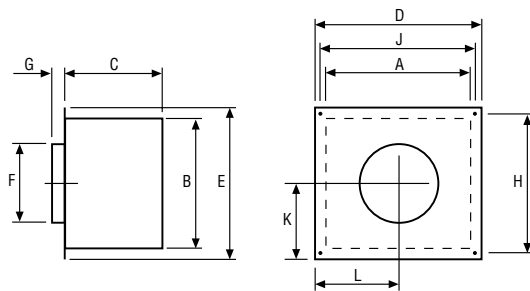
Connect electrical supply to main Control Panel Terminal Block via the cable glands in the base of the control panel. Mains input cable should be 0.75mm² 3 core and should be connected to the mains supply as detailed above.

Wiring diagram opposite shows the Terminal Connections for EXHAUSTO FLUE FAN.

INSTALLATION AND COMMISSIONING INSTRUCTIONS

Full step by step instructions are contained in the Exhausto manual supplied with each kit.

EXHAUSTO FLUE FAN DIMENSIONAL SPECIFICATION



	A	B	C	D	E	F	G	H	J	K	L
RSG125	265	250	220	336	320	Ø128	35	280	296	153	157
RSG150	325	310	240	400	380	Ø153	35	340	360	181	186
RSG200	405	380	275	478	453	Ø206	35	413	438	215	221

EXHAUSTO FLUE FAN KITS (REF. A)

Each kit comes complete with the following components.

MODELS 32/143 65/173 B200		MODELS 81/264, 62/341 B198		MODEL 54/440 B199	
PART NO.	COMPONENT	PART NO.	COMPONENT	PART NO.	COMPONENT
C953	Exhausto Fan RSG 150	C945	Exhausto Fan RSG 200	C945	Exhausto Fan RSG 200
C946	Speed Controller	C346	Speed Controller	C946	Speed Controller
C947	Junction Box	C947	Junction Box	C947	Junction Box
C951	Appliance Adaptor 6"x6"	C948	Appliance Adaptor 8"x8"	C950	Appliance Adaptor 10"x8"
C952	Discharge Adaptor 6"x6"	C949	Discharge Adaptor 8"x8"	C949	Discharge Adaptor 8"x8"

NOTE

- It is important to remember that when ordering a flue fan kit the correct heater model is quoted.
- The adaptors supplied will suit Selkirk SMW flue systems.
- If using other flue systems alternative adaptors will be required.
- We do not supply additional flue requirements.



Andrews Water Heaters
Wood Lane, Erdington
Birmingham B24 9QP
Telephone: 0845 070 1058 Fax: 0845 070 1059
E-mail: andrews@andrews-waterheaters.co.uk

Since it is our policy to strive for progressive design