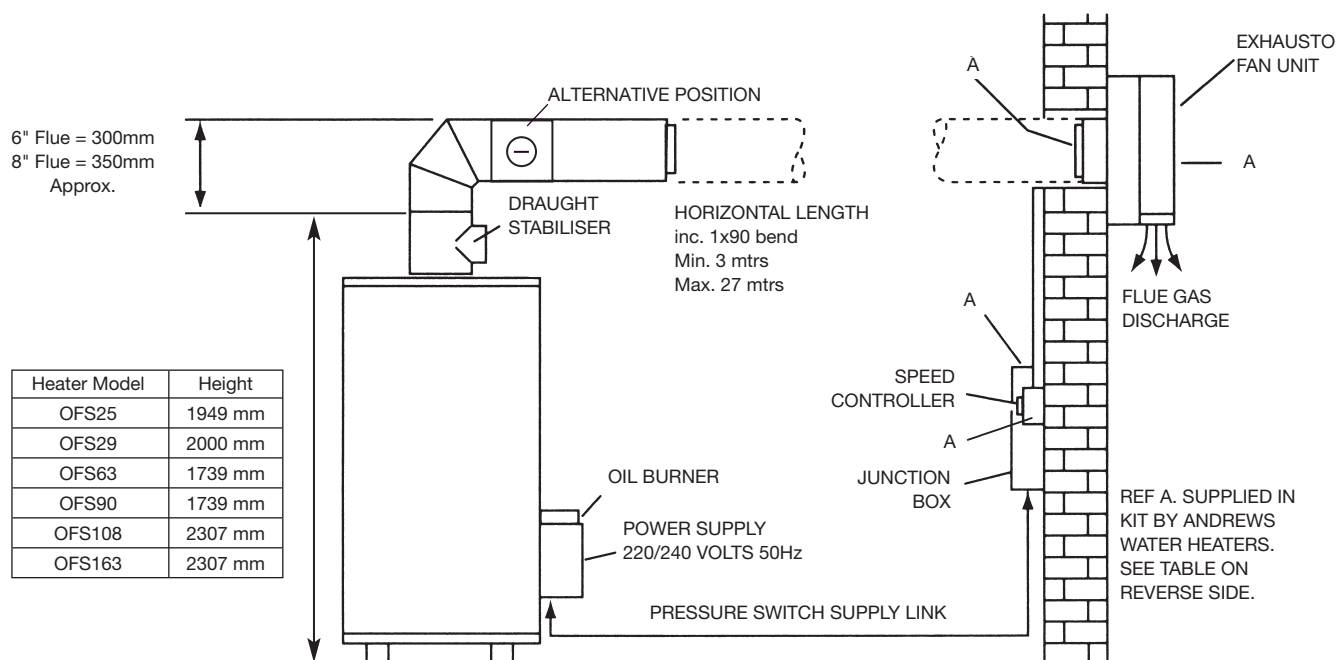


OIL FIRED STORAGE WATER HEATERS

Typical Installation OFS Range with Exhausto Flue Fan

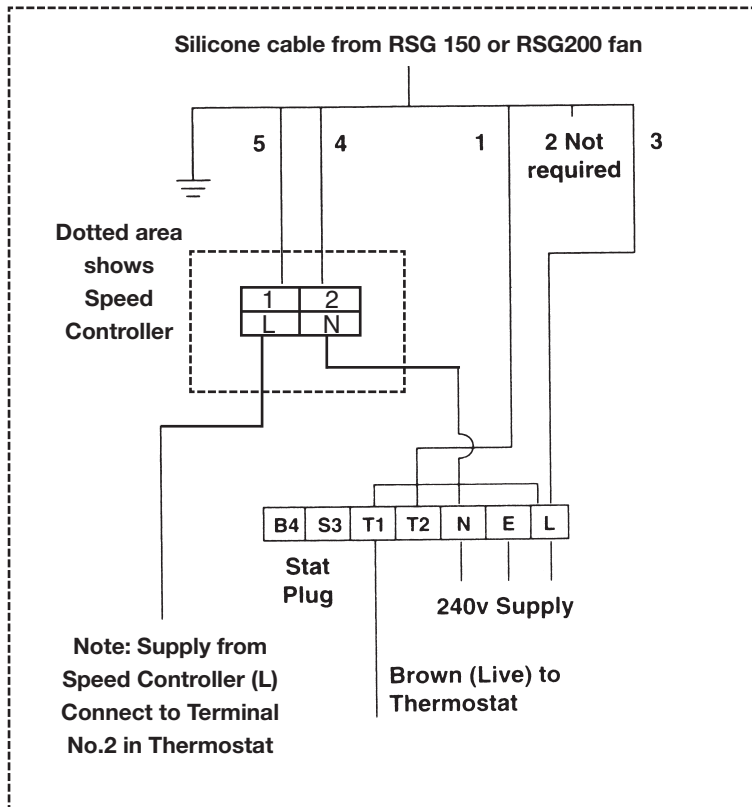


- The Exhausto Flue Fan when used on Andrews OFS Oil Fired Water Heaters gives the following control facility. The Exhausto Flue Fan will only run when the thermostat is calling for the heat and the burner is in operation.
- The main advantages of this system are to be seen in applications where the lack of height in a plant room or boiler house makes a conventional flue installation inappropriate or inconvenient. It should be noted that any increase in the height of flue from the appliance will result in the horizontal length being decreased by the same distance.
- Greater freedom is gained in siting the appliance and its flue terminal.
- Removal of the flue products is more positive and less dependent on wind conditions.
- All Fan-Powered flue systems must conform with the requirements of the appliance manufacturers instructions.
- The Exhausto Flue Fan system gives a fail-safe fan-assisted system for Oil Fired appliances..
- The fan is located on a suitable external wall in a place convenient for the gas appliance and with due regard to requirements for its siting, environmental considerations, future service requirements and current building regulations, BS Standards and any local by-laws that may be in existence.
- The Exhausto Flue Fan system gives a downward discharge of the flue gases through secure grilles located on the underside of the fan housing.
- Low maintenance requirement. It is recommended that the fan and its connections should be inspected once a year at the same time as the annual maintenance of the heating appliance.
- Low ambient sound pressure level (1 metre). Less than 63dBA at maximum speed.
- The Exhausto Fan unit is constructed from galvanised sheet metal, fitted with a centrifugal impeller and non moving pressure differential switch, ensuring correct airflow when the appliance is used. The fan unit is supplied with a 3 metre long 6-core heat resistant silicone cable.

CAUTION

The Fan Unit must **not** be mounted directly on a timber wall or any other walls of inflammable material.
The flue pipe must **not** be in contact with any inflammable material when it is installed in the wall.
The Fan Unit should be located on the external wall avoiding exposure to extreme wind conditions.

INSTALLATION INSTRUCTIONS FOR OIL FIRED WATER HEATERS WITH EXHAUSTO FLUE FAN



ELECTRICAL SUPPLY – OIL FIRED UNITS WITH EXHAUSTO FLUE FAN

Wiring External to the water heater must be installed in accordance with the I.E.E. Regulations for the wiring of buildings and to any local regulations that may apply.

The Oil Fired Heater is designed to run off 220/240V 1Ph 50Hz supply and the fuse rating is 5 Amp/10 Amp Max.

The method of connection to the mains electricity supply should facilitate complete electrical isolation of the appliance preferably by use of an unswitched shuttered socket outlet in conjunction with a fused three pin plug both complying with the requirements of BS 1363/A.

Alternatively a fused double pole switch or fused spur box serving only the heater may be used.

The point of connection to the mains should be readily accessible and adjacent to the appliance.

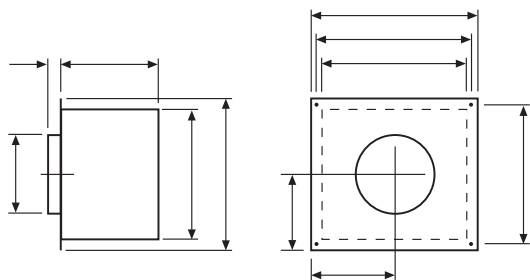
Connect electrical supply to the plug harness on burner assembly from the thermostat. The mains input cable should be 0.75mm² 3 core and should be connected to the mains supply as detailed above.

Wiring diagram opposite shows the Terminal Connections for the EXHAUSTO FLUE FAN KIT.

INSTALLATION AND COMMISSIONING INSTRUCTIONS

Full step by step instructions are contained in the Exhausto manual supplied with each kit.

EXHAUSTO FLUE FAN DIMENSIONAL SPECIFICATION



	A	B	C	D	E	F	G	H	J	K	L
RSG150	325	310	240	400	380	Ø153	35	340	360	181	186
RSG200	405	380	275	478	453	Ø206	35	413	438	215	221

EXHAUSTO FLUE FAN KITS (REF. A)

Each kit comes complete with the following components.

KIT PART No: B204		KIT PART No: B205		KIT PART No: B206	
MODELS OFS25, OFS29		MODELS OFS63, OFS90		MODELS OFS108, OFS163	
PART NO.	COMPONENT	PART NO.	COMPONENT	PART NO.	COMPONENT
C953	Exhausto Fan RSG 150	C945	Exhausto Fan RSG 200	C945	Exhausto Fan RSG 200
C946	Speed Controller	C946	Speed Controller	C946	Speed Controller
C947	Junction Box	C947	Junction Box	C947	Junction Box
C952	Discharge Adaptor 6"x6"	C949	Discharge Adaptor 8"x8"	C949	Discharge Adaptor 8"x8"

NOTE

- It is important to remember that when ordering a flue fan kit the correct heater model is quoted.
- The adaptors supplied will suit SF Limited SMW flue, if other flue systems are used adaptors may be required.
- We do not supply any additional flue components for the Exhausto installation.
- A draught stabiliser kit supplied with each water heater must be installed.



Andrews Water Heaters
 Wood Lane, Erdington
 Birmingham B24 9QP
 Tel: 0845 070 1055 Fax: 0845 070 1059 Sales: 0845 070 1056
 Technical: 0845 070 1057 Service: 0845 070 1058
 E-mail: andrews@andrews-waterheaters.co.uk
 www.andrewswaterheaters.co.uk

Since it is our policy to strive for progressive design and performance all our equipment is subject to alteration without notice.